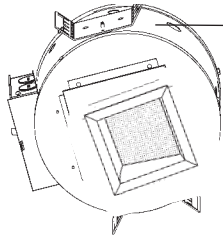


Architectural Squares

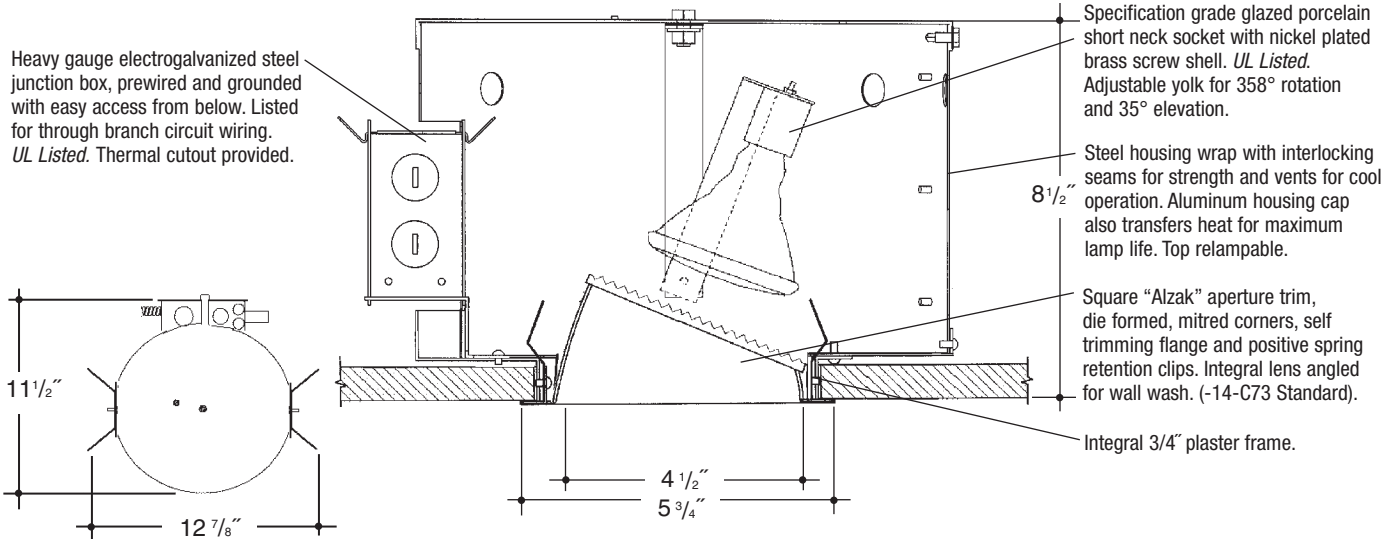
Job Name _____

Type _____



Adjustable height electrogalvanized plated steel mounting ears with cutouts for various mounting methods. Standard bars (included) are innovative and incorporate rigid formed cross sections, joist positioning tabs, integral nails, auxiliary nailholes, T-Bar slots and holes for locking bars to T-Bar using #8 self-tapping screws (by others). Bars extend 14"-24". Ears will also accept Caddy Bar #520 for fast installation in T-Bar ceilings, bars extend 27".

4"x4" PAR20/PAR30 LENSED WALL WASH SQUARE



Rough In Kit – 4.5" x 4.5" Square Incandescent Spread Lens Wall Wash (75W PAR30; 50W PAR20; 75W PAR16)

Catalog Number **VGS44ADJ-INC-PAR**

VGS44ADJ-INC-PAR

Wattage	Voltage	Options
75W MAX. PAR30 50W PAR20 75W PAR16	120	277V SD

Options ▲
277V SD Step Down Transformer 277V to 120V

Must Specify Lamping

Finishing Kit – 4.5"x4.5" Square Spread Lens Wall Wash Reflector

Catalog Number **VGS4437**

VGS4437

Lens	Finish	Options
-14 C73 (Standard) -FRO FROSTED	SCL SGO SGC ECL	PF

Finish (Factory Standard)
SCL Specular Clear "Alzak" with White Flange
SGO Specular Gold "Alzak" with White Flange
SGC Soft Glow Clear "Alzak" (Semi-Spec) with White Flange
ECL Etched Clear "Alzak" (Haze) with White Flange
 Options ▲
PF High Polished Flange

Features

Manufactured and Listed to UL 1598, ETL and CSA standards.
 Suitable for Damp Locations
 Wet location under covered ceiling



▲ See Options and Finishes pages for a list of additional finishes and equipment.
 Vantage reserves the right to change components, finishes or design details in any manner which does not alter the installed appearance or reduce performance and intended function.

76 Community Avenue Plainfield, CT 06374
 voice (860)564.4512 fax (860)564.4854
 www.vantageitg.com

01/10

