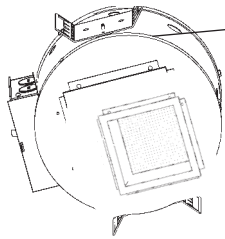


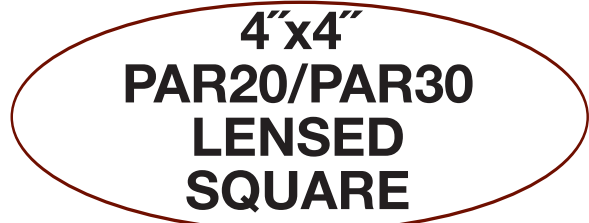
# Architectural Squares

Job Name \_\_\_\_\_

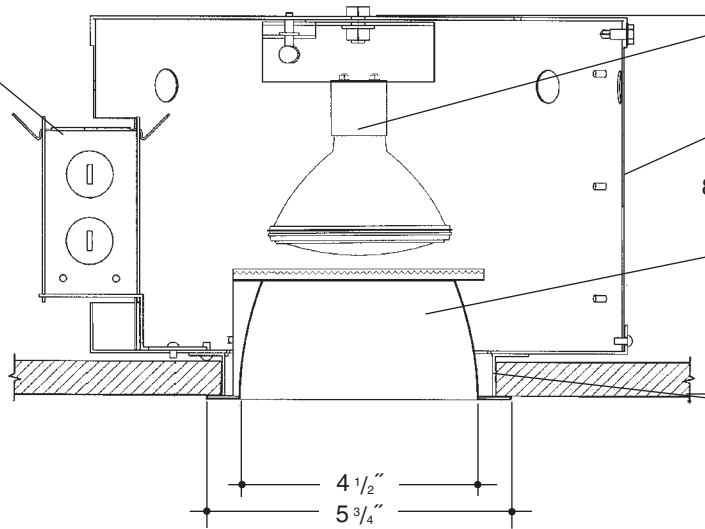
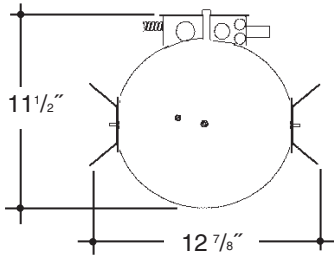
Type \_\_\_\_\_



Adjustable height electrogalvanized plated steel mounting ears with cutouts for various mounting methods. Standard bars (included) are innovative and incorporate rigid formed cross sections, joist positioning tabs, integral nails, auxiliary nailholes, T-Bar slots and holes for locking bars to T-Bar using #8 self-tapping screws (by others). Bars extend 14"-24". Ears will also accept Caddy Bar #520 for fast installation in T-Bar ceilings, bars extend 27".



Heavy gauge electrogalvanized steel junction box, prewired and grounded with easy access from below. Listed for through branch circuit wiring. *UL Listed.* Thermal cutout provided.



*UL Listed* medium base porcelain short neck socket, with nickel plated brass screw shell.

Steel housing wrap with interlocking seams for strength and vents for cool operation. Aluminum housing cap also transfers heat for maximum lamp life. Top relampable.

Square "Alzak" aperture trim, die formed, mitred corners, self trimming flange, positive spring retention clips and integral spread lens. (-14 C73 Standard)

Integral 3/4" plaster frame.

## Rough In Kit – 4.5" x 4.5" Square Incandescent (75W PAR30; 50W PAR20; 75W PAR16)

Catalog Number **VGS44-INC-PAR**

**VGS44-INC-PAR**

Wattage

75W MAX. PAR30  
50W PAR20  
75W PAR16

Voltage

120

Options

277V SD

Options ▲  
277V SD

Step Down Transformer 277V to 120V

## Must Specify Lamping

## Finishing Kit – 4.5"x4.5" Square Lensed Reflector

Catalog Number **VGS44-**

**VGS44-**

Lens

-14 C73 (Standard)  
-FRO FROSTED

Finish

SCL  
SGO  
SGC  
ECL

Options

PF

Finish (Factory Standard)

**SCL** Specular Clear "Alzak" with White Flange  
**SGO** Specular Gold "Alzak" with White Flange  
**SGC** Soft Glow Clear "Alzak" (Semi-Spec) with White Flange  
**ECL** Etched Clear "Alzak" (Haze) with White Flange

Options ▲

**PF** High Polished Flange

## Features

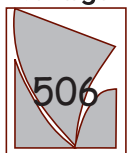
Manufactured and Listed to UL 1598, ETL and CSA standards.  
Suitable for Damp Locations  
Wet location under covered ceiling



▲ See Options and Finishes pages for a list of additional finishes and equipment.

Vantage reserves the right to change components, finishes or design details in any manner which does not alter the installed appearance or reduce performance and intended function.

Vantage



Luminaires

76 Community Avenue Plainfield, CT 06374  
voice (860)564.4512 fax (860)564.4854  
www.vantageitg.com

01/10