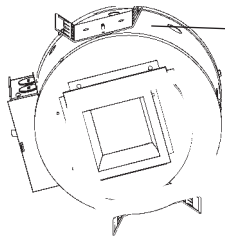


A r c h i t e c t u r a l S q u a r e s

Job Name _____

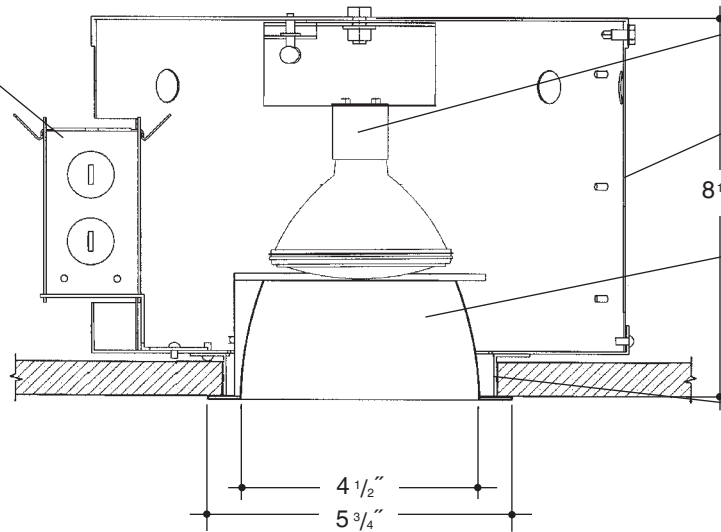
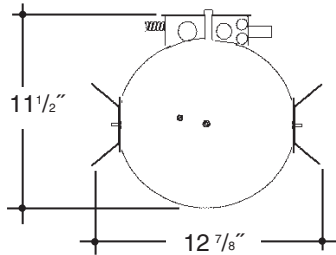
Type _____



Adjustable height electrogalvanized plated steel mounting ears with cutouts for various mounting methods. Standard bars (included) are innovative and incorporate rigid formed cross sections, joist positioning tabs, integral nails, auxiliary nailholes, T-Bar slots and holes for locking bars to T-Bar using #8 self-tapping screws (by others). Bars extend 14"-24". Ears will also accept Caddy Bar #520 for fast installation in T-Bar ceilings, bars extend 27".

4"x4"
PAR20/PAR30
OPEN
SQUARE

Heavy gauge electrogalvanized steel junction box, prewired and grounded with easy access from below. Listed for through branch circuit wiring. *UL Listed.* Thermal cutout provided.



UL Listed medium base porcelain short neck socket, with nickel plated brass screw shell.

Steel housing wrap with interlocking seams for strength and vents for cool operation. Aluminum housing cap also transfers heat for maximum lamp life. Top relampable.

Square "Alzak" aperture trim, die formed, mitred corners, self trimming flange and positive spring retention clips.

Integral 3/4" plaster frame.

Rough In Kit – 4.5" x 4.5" Square Incandescent (75W PAR30; 50W PAR20; 75W PAR16)

Catalog Number **VGS44-INC-PAR**

VGS44-INC-PAR

Wattage

Voltage

Options

Options ▲
277V SD

Step Down Transformer 277V to 120V

75W MAX. PAR30
50W PAR20
75W PAR16

120

277V SD

Must Specify Lamping

Finishing Kit – 4.5" x 4.5" Square Open Reflector

Catalog Number **VGS4400**

VGS4400

Finish

Options

SCL
SGO
SGC
ECL
WHT

PF

Finish (Factory Standard)

SCL Specular Clear "Alzak" with White Flange
SGO Specular Gold "Alzak" with White Flange
SGC Soft Glow Clear "Alzak" (Semi-Spec) with White Flange
ECL Etched Clear "Alzak" (Haze) with White Flange
WHT White with White Flange

Options ▲

PF High Polished Flange

Features

Manufactured and Listed to UL 1598, ETL and CSA standards.
Suitable for Damp Locations
Wet location under covered ceiling



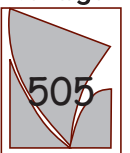
▲ See Options and Finishes pages for a list of additional finishes and equipment.

Vantage reserves the right to change components, finishes or design details in any manner which does not alter the installed appearance or reduce performance and intended function.

01/10

76 Community Avenue Plainfield, CT 06374
voice (860)564.4512 fax (860)564.4854
www.vantageitg.com

Vantage



Luminaires