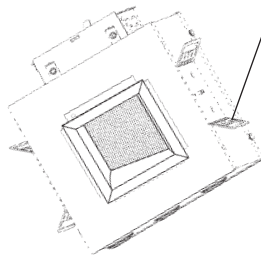


# Architectural Squares

Job Name \_\_\_\_\_

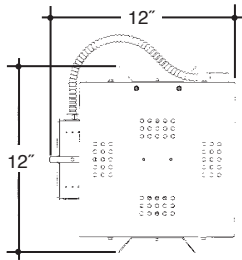
Type \_\_\_\_\_



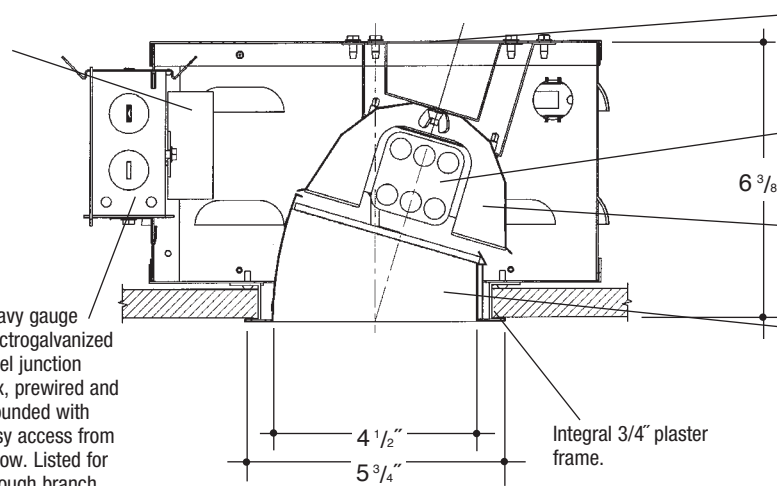
Adjustable height electrogalvanized plated steel mounting ears with cutouts for various mounting methods. Standard bars (included) are innovative and incorporate rigid formed cross sections, joist positioning tabs, integral nails, auxiliary nailholes, T-Bar slots and holes for locking bars to T-Bar using #8 self-tapping screws (by others). Bars extend 14"-24". Ears will also accept Caddy Bar #520 for fast installation in T-Bar ceilings, bars extend 27".

## 4"x4" H.F. 1 LT LENSED WALL WASH SQUARE

Electronic ballast, Class P, 50/60 HZ-120/277, Programmed Start, thermally protected, 98% Power Factor, 1.00 Ballast Factor, <10% THD, Class A sound rated. Minimum starting temperature -18°C/0°F. UL Listed component.



Heavy gauge electrogalvanized steel junction box, prewired and grounded with easy access from below. Listed for through branch circuit wiring.



Housing is formed of heavy gauge electrogalvanized steel with integral venting for cool operation and extended lamp life.

Aluminum socket housing with quick assembly hardware. *UL Listed* socket and electrical connectors.

Precision formed aluminum specular clear low iridescent "Alzak" upper reflector.

Square "Alzak" aperture trim, die formed, mitred corners, self trimming flange and positive spring retention clips. Integral lens angled for wall wash. (-14-C73 Standard).

### Rough In Kit – 4.5"x4.5" Square Horizontal Fluorescent 1-Lamp (Compact Fluorescent Triple or Quad Tube)

Catalog Number **VGS44HFWW1**

**VGS44HFWW1**

Wattage	Ballast	Voltage	Options
42W MAX. PLT	E	1	EM*
32W PLT	DA	2	
26W DTT, PLT	DL	3	
18W DTT, PLT		4	

Ballast		
<b>E</b>	Electronic	(4 Pin Lamp)
<b>DA</b>	Dimming - Advance Mark X	(4 Pin Lamp)
<b>DL</b>	Dimming - Lutron Ecosystem	(4 Pin Lamp)
Voltage		
<b>1</b>	120 Volts	
<b>2</b>	277 Volts	
<b>3</b>	347 Volts (Electronic Ballast Only)	
<b>4</b>	208 Volts	
Options ▲		
<b>EM*</b>	Emergency Battery	

\*(TOP COVER REMOVABLE FROM BELOW FOR EM ACCESS)

Electronic Multi-Tap Ballast 120/277V Factory Standard

### Finishing Kit – 4.5"x4.5" Square Horizontal Spread Lens Wall Wash Reflector

Catalog Number **VGS4437**

**VGS4437**

Lens	Finish	Options
-14 C73 (Standard)	SCL	PF
-FRO FROSTED	SGC	
	ECL	

Finish (Factory Standard)	
<b>SCL</b>	Specular Clear "Alzak" with White Flange
<b>SGC</b>	Soft Glow Clear "Alzak" (Semi-Spec) with White Flange
<b>ECL</b>	Etched Clear "Alzak" (Haze) with White Flange
Options ▲	
<b>PF</b>	High Polished Flange

#### Features

Manufactured and Listed to UL 1598, ETL and CSA standards.  
Suitable for Damp Locations  
Wet location under covered ceiling



▲ See Options and Finishes pages for a list of additional finishes and equipment.

Vantage reserves the right to change components, finishes or design details in any manner which does not alter the installed appearance or reduce performance and intended function.



# Photometric Information

**Product Number:** VGS44HF126E1/2/4414SCL  
**Cylinder:** 4"x4", Horizontal Mount Fluorescent  
**Reflector:** 4" Horizontal Clear "Alzak" Reflector with Prismatic glass lens and specular clear "Alzak" splay  
**LTL Test Number:** 1765FR  
**Lamp(s) Source:** (1) 26W DTT 4pin lamp rated at 1800 lumens  
**Total Luminaire Efficiency:** 40.8%

**Product Number:** VGS44HF132E1/2/4414SCL  
**Cylinder:** 4"x4", Horizontal Mount Fluorescent  
**Reflector:** 4" Horizontal Clear "Alzak" Reflector with Prismatic glass lens and specular clear "Alzak" splay  
**LTL Test Number:** 1981FR  
**Lamp(s) Source:** (1) 32W DTT 4pin lamp rated at 2400 lumens  
**Total Luminaire Efficiency:** 42.9%

### Multiple Units - Footcandles On Wall

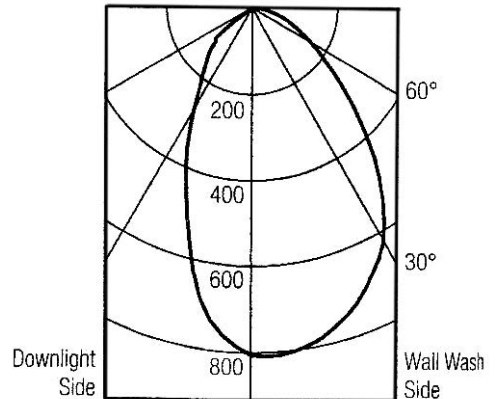
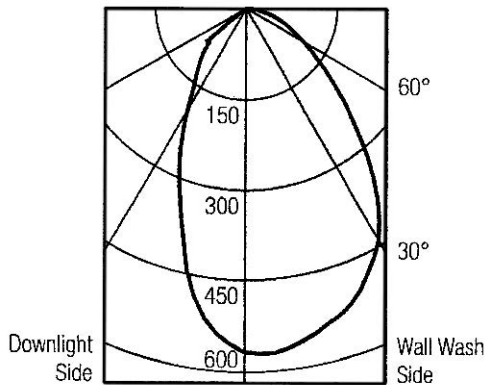
3' from Wall - 4' On Center

Distance From Ceiling in Feet	<---4'--->		
	1	2	3
1	7	4	7
2	11	8	11
3	13	10	13
4	12	11	12
5	11	10	11
6	9	9	9
7	7	7	7
8	6	6	6
9	5	5	5
10	5	4	5

### Multiple Units - Footcandles On Wall

3' from Wall - 4' On Center

Distance From Ceiling in Feet	<---4'--->		
	1	2	3
1	10	6	10
2	16	12	16
3	18	14	18
4	17	15	17
5	15	14	15
6	12	12	12
7	10	10	10
8	9	8	9
9	7	7	7
10	6	6	6



VANTAGE

06/09

76 Community Avenue Plainfield, CT 06374 voice (860)564.4512 fax (860)564.4854 www.vantageitg.com