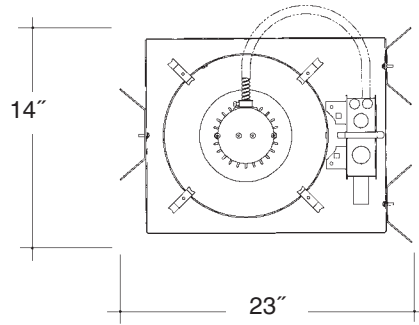


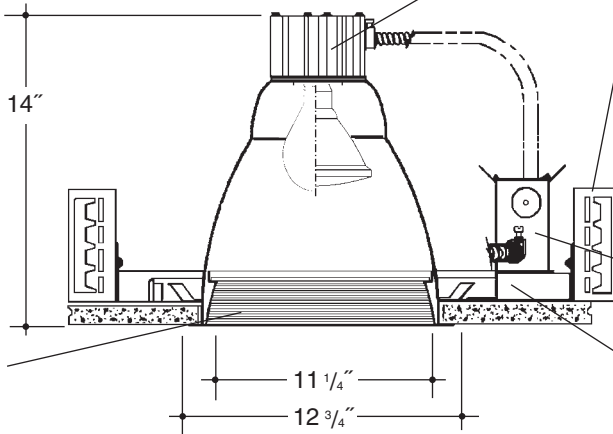
Architectural Grade

Job Name _____

Type _____



12" LENSED BAFFLED INCANDESCENT



Aluminum heat sink socket cup with Zinc plated steel hardware and spring steel clips for fast assembly. *UL Listed* medium base porcelain socket, with nickel plated brass screw shell.

Adjustable height electrogalvanized plated steel mounting ears with cutouts for various mounting methods. Standard bars (included) are innovative and incorporate rigid formed cross sections, joist positioning tabs, integral nails, auxiliary nailholes, T-Bar slots and holes for locking bars to T-Bar using #8 self-tapping screws (by others). Bars extend 14"-24". Ears will also accept Caddy Bar #520 for fast installation in T-Bar ceilings, bars extend 27".

Heavy gauge electrogalvanized steel junction box, prewired and grounded. Listed for through branch circuit wiring. Thermal cutout provided.

Heavy gauge spun aluminum reflector with self trimming flanged baffled splay/lens holder and white painted flange. Safety chain provided.

Electrogalvanized plated steel frame with spring steel reflector clips for fast assembly of reflector.

Rough in Kit – 12" Incandescent (300W BR40; 250W PAR38; 200W A23; 150W A21)

Catalog Number **A12INC**

A12INC

Wattage

300W MAX. BR40
250W PAR38
200W A23
150W A21

Voltage

120

Options

277V SD
R
PR

Options ▲

277V SD
R
PR

Step Down Transformer 277V to 120V
Remodeler
Plaster Ring

Finishing Kit – 12" Incandescent Lensed Reflector – clear reflector standard with Black or White Baffled Splay

Catalog Number **120**

120

Lens

12021 - Tempered Clear Lens
12024 - Tempered Prismatic Lens (C73 Pattern)
12026 - Fresnel Lens

Finish

SCL/BL
SCL/WH
WHT/BL

Options

DGSK

Finish (Factory Standard)

SCL/BL Specular Clear "Alzak" with Black Baffled Splay
SCL/WH Specular Clear "Alzak" with White Baffled Splay
WHT/WH White Reflector with White Baffled Splay
WHT/BL White Reflector with Black Baffled Splay

Options ▲

DGSK Neoprene Foam Double Gasketing

Features

Manufactured and Listed to UL 1598, ETL and CSA standards.
Suitable for Damp Locations
Wet location under covered ceiling



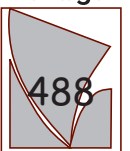
▲ See Options and Finishes pages for a list of additional finishes and equipment.

Vantage reserves the right to change components, finishes or design details in any manner which does not alter the installed appearance or reduce performance and intended function.

08/08

76 Community Avenue Plainfield, CT 06374
voice (860)564.4512 fax (860)564.4854
www.vantageltg.com

Vantage



Luminaires