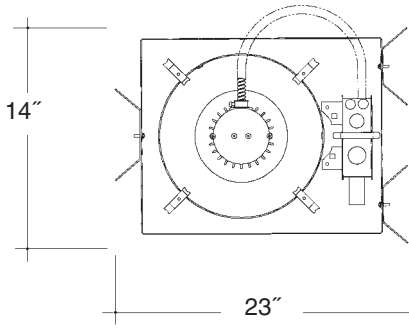


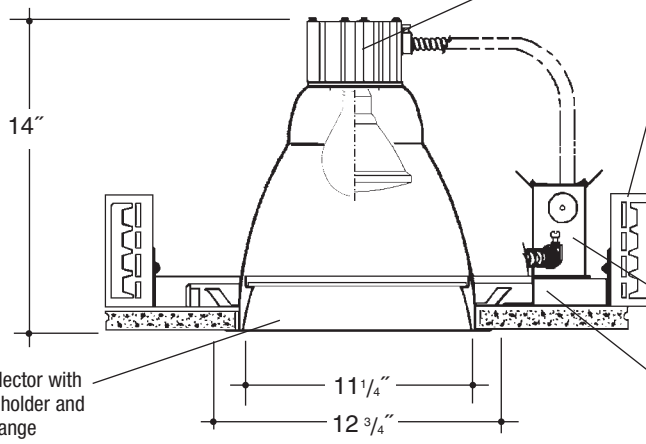
Architectural Grade

Job Name _____

Type _____



12" LENSED INCANDESCENT



Heavy gauge spun aluminum reflector with self trimming flanged splay/lens holder and white painted flange. Polished Flange available. Safety chain provided.

Aluminum heat sink socket cup with Zinc plated steel hardware and spring steel clips for fast assembly. *UL Listed* medium base porcelain socket, with nickel plated brass screw shell.

Adjustable height electrogalvanized plated steel mounting ears with cutouts for various mounting methods. Standard bars (included) are innovative and incorporate rigid formed cross sections, joist positioning tabs, integral nails, auxiliary nailholes, T-Bar slots and holes for locking bars to T-Bar using #8 self-tapping screws (by others). Bars extend 14"-24". Ears will also accept Caddy Bar #520 for fast installation in T-Bar ceilings, bars extend 27".

Heavy gauge electrogalvanized steel junction box, prewired and grounded. Listed for through branch circuit wiring. Thermal cutout provided.

Electrogalvanized plated steel frame with spring steel reflector clips for fast assembly of reflector.

Rough in Kit – 12" Incandescent (300W BR40; 250W PAR38; 200W A23; 150W A21)

Catalog Number **A12INC**

A12INC	Wattage	Voltage	Options	Options ▲
	300W MAX. BR40 250W PAR38 200W A23 150W A21	120	277V SD R PR	277V SD Step Down Transformer 277V to 120V R Remodeler PR Plaster Ring

Finishing Kit – 12" Incandescent Lensed Reflector – clear reflector standard with White Splay and self trim flange

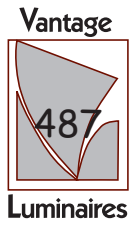
Catalog Number **120**

120	Lens	Finish	Options	Finish (Factory Standard)
	12011 - Tempered Clear Lens 12014 - Tempered Prismatic Lens (C73 Pattern) 12016 - Fresnel Lens	SCL SGO WHT	PF DGSK	Specular Clear "Alzak" Splay with White Flange Specular Gold "Alzak" Splay with White Flange White Splay with White Flange
			Options ▲	PF High Polished Flange DGSK Neoprene Foam Double Gasketing

Features
Manufactured and Listed to UL 1598, ETL and CSA standards.
Suitable for Damp Locations
Wet location under covered ceiling



▲ See Options and Finishes pages for a list of additional finishes and equipment.
Vantage reserves the right to change components, finishes or design details in any manner which does not alter the installed appearance or reduce performance and intended function.



76 Community Avenue Plainfield, CT 06374
voice (860) 564.4512 fax (860) 564.4854
www.vantageltg.com

08/08