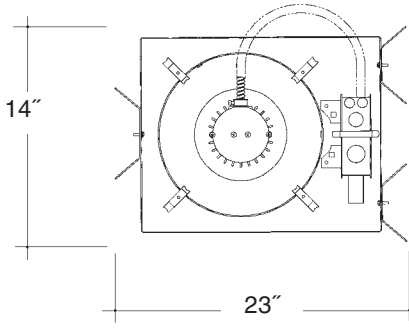


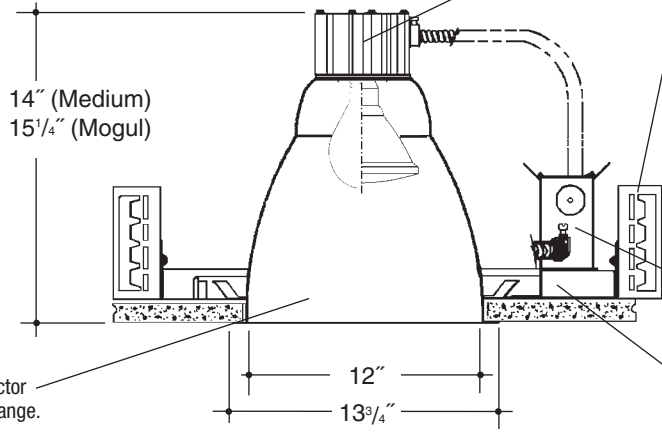
# Architectural Grade

Job Name \_\_\_\_\_

Type \_\_\_\_\_



**12" OPEN  
INCANDESCENT**



Extruded aluminum heat sink socket cup with Zinc plated steel hardware and spring steel clips for fast assembly. *UL Listed* medium base porcelain socket, with nickel plated brass screw shell.

Adjustable height electrogalvanized plated steel mounting ears with cutouts for various mounting methods. Standard bars (included) are innovative and incorporate rigid formed cross sections, joint positioning tabs, integral nails, auxiliary nailholes, T-Bar slots and holes for locking bars to T-Bar using #8 self-tapping screws (by others). Bars extend 14"-24". Ears will also accept Caddy Bar #520 for fast installation in T-Bar ceilings, bars extend 27".

Heavy gauge electrogalvanized steel junction box, prewired and grounded. Listed for through branch circuit wiring. Thermal cutout provided.

Electrogalvanized plated steel frame with spring steel reflector clips for fast assembly of reflector.

Heavy gauge spun aluminum reflector with self trimming white painted flange. Polished Flange available.

## Rough in Kit – 12" Incandescent (300W BR40; 250W PAR38; 200W A23; 150W A21)

Catalog Number **A12INC**

A12INC	Wattage	Voltage	Options	Options ▲
	300W MAX. BR40	120	277V SD	277V SD Step Down Transformer 277V to 120V
	250W PAR38		R	R Remodeler
	200W A23		PR	PR Plaster Ring
	150W A21			

Mogul Base Lamp – Replace **A12INC** with **A12INCM** – MAX. 300W PS35 Consult Factory

## Finishing Kit – 12" Incandescent Open Reflector

Catalog Number **12000**

12000	Finish	Options	Finish (Factory Standard)	Options ▲
	SCL	PF	<b>SCL</b> Specular Clear "Alzak" Reflector with White Flange	<b>PF</b> High Polished Flange
	SGO	GSK	<b>SGO</b> Specular Gold "Alzak" Reflector with White Flange	<b>GSK</b> Neoprene Foam Single Gasketing
	WHT		<b>WHT</b> White Reflector with White Flange	

### Features

Manufactured and Listed to UL 1598, ETL and CSA standards.  
Suitable for Damp Locations  
Wet location under covered ceiling



▲ See Options and Finishes pages for a list of additional finishes and equipment.

Vantage reserves the right to change components, finishes or design details in any manner which does not alter the installed appearance or reduce performance and intended function.

05/07

76 Community Avenue Plainfield, CT 06374  
voice (860) 564.4512 fax (860) 564.4854  
www.vantageitg.com

