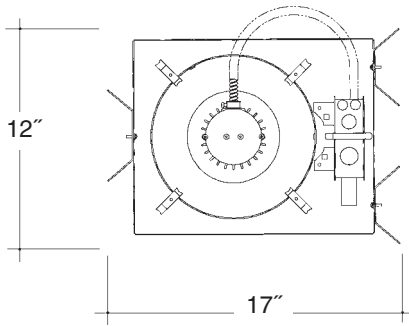


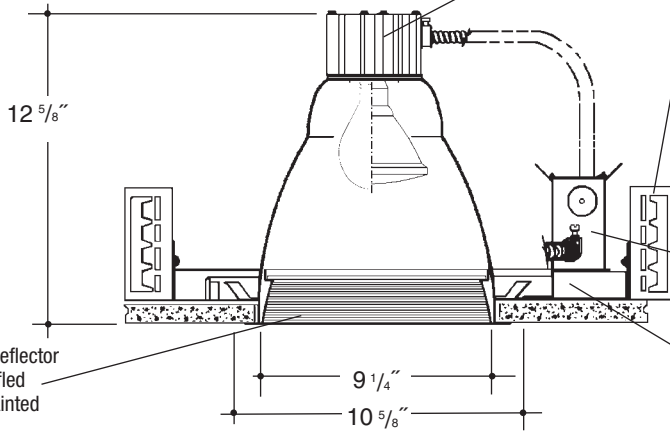
Architectural Grade

Job Name _____

Type _____



10" LENSED BAFFLED INCANDESCENT



Heavy gauge spun aluminum reflector with self trimming flanged baffled splay/lens holder and white painted flange. Safety chain provided.

Aluminum heat sink socket cup with Zinc plated steel hardware and spring steel clips for fast assembly. *UL Listed* medium base porcelain socket, with nickel plated brass screw shell.

Adjustable height electrogalvanized plated steel mounting ears with cutouts for various mounting methods. Standard bars (included) are innovative and incorporate rigid formed cross sections, joist positioning tabs, integral nails, auxiliary nailholes, T-Bar slots and holes for locking bars to T-Bar using #8 self-tapping screws (by others). Bars extend 14"-24". Ears will also accept Caddy Bar #520 for fast installation in T-Bar ceilings, bars extend 27".

Heavy gauge electrogalvanized steel junction box, prewired and grounded. Listed for through branch circuit wiring. Thermal cutout provided.

Electrogalvanized plated steel frame with spring steel reflector clips for fast assembly of reflector.

Rough in Kit – 10" Incandescent (250W PAR38; 200W A23; 150W A21)

Catalog Number **A10INC**

A10INC

Wattage

Voltage

Options

250W MAX. PAR38
200W A23
150W A21

120

277V SD
R
PR

Options ▲

277V SD
R
PR

Step Down Transformer 277V to 120V
Remodeler
Plaster Ring

Finishing Kit – 10" Incandescent Lensed Reflector – clear reflector standard with Black or White Baffled Splay

Catalog Number **100**

100

Lens

Finish

Options

10021 - Tempered Clear Lens
10024 - Tempered Prismatic Lens (C73 Pattern)
10026 - Fresnel Lens
10028 - Drop Opal Lens

SCL/BL
SCL/WH
WHT/WH
WHT/BL

DGSK

Finish (Factory Standard)

SCL/BL Specular Clear "Alzak" with Black Baffled Splay
SCL/WH Specular Clear "Alzak" with White Baffled Splay
WHT/WH White Reflector with White Baffled Splay
WHT/BL White Reflector with Black Baffled Splay

Options ▲

DGSK

Neoprene Foam Double Gasketing

Features

Manufactured and Listed to UL 1598, ETL and CSA standards.
Suitable for Damp Locations
Wet location under covered ceiling



▲ See Options and Finishes pages for a list of additional finishes and equipment.

Vantage reserves the right to change components, finishes or design details in any manner which does not alter the installed appearance or reduce performance and intended function.

08/08

76 Community Avenue Plainfield, CT 06374
voice (860) 564.4512 fax (860) 564.4854
www.vantageltg.com

