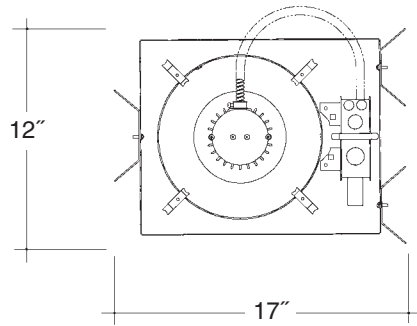


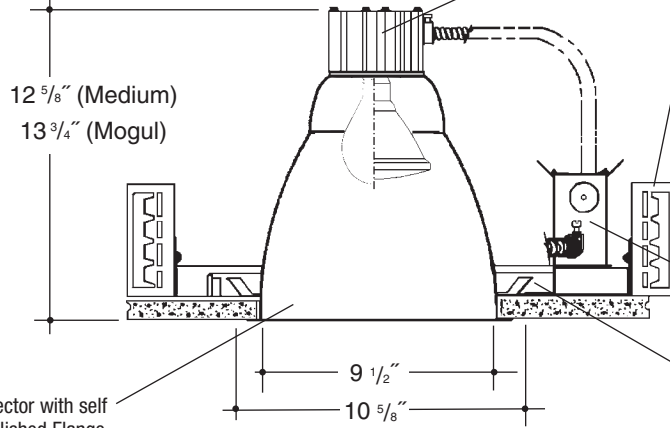
Architectural Grade

Job Name _____

Type _____



**10" OPEN
INCANDESCENT**



Extruded aluminum heat sink socket cup with Zinc plated steel hardware and spring steel clips for fast assembly. *UL Listed* medium base porcelain socket, with nickel plated brass screw shell.

Adjustable height electrogalvanized plated steel mounting ears with cutouts for various mounting methods. Standard bars (included) are innovative and incorporate rigid formed cross sections, joist positioning tabs, integral nails, auxiliary nailholes, T-Bar slots and holes for locking bars to T-Bar using #8 self-tapping screws (by others). Bars extend 14"-24". Ears will also accept Caddy Bar #520 for fast installation in T-Bar ceilings, bars extend 27".

Heavy gauge electrogalvanized steel junction box, prewired and grounded. Listed for through branch circuit wiring. Thermal cutout provided.

Electrogalvanized plated steel frame with spring steel reflector clips for fast assembly of reflector.

Heavy gauge spun aluminum reflector with self trimming white painted flange. Polished Flange available.

Rough in Kit – 10" Incandescent (300W BR40; 250W PAR38; 200W A23; 150W A21)

Catalog Number **A10INC**

A10INC

Wattage

Voltage

Options

Options ▲

300W MAX. BR40
250W PAR38
200W A23
150W A21

120

277V SD
R
PR

277V SD
R
PR

Step Down Transformer 277V to 120V
Remodeler
Plaster Ring

Mogul Base Lamp – Replace A10INC with A10INCM – MAX. 300W PS35 Consult Factory

Finishing Kit – 10" Incandescent Open Reflector

Catalog Number **10000**

10000

Finish

Options

SCL
SGO

PF
GSK

Finish (Factory Standard)

SCL
SGO

Specular Clear "Alzak" Reflector with White Flange
Specular Gold "Alzak" Reflector with White Flange

Options ▲

PF
GSK

High Polished Flange
Neoprene Foam Single Gasketing

Features

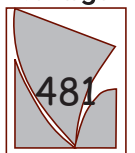
Manufactured and Listed to UL 1598, ETL and CSA standards.
Suitable for Damp Locations
Wet location under covered ceiling



▲ See Options and Finishes pages for a list of additional finishes and equipment.

Vantage reserves the right to change components, finishes or design details in any manner which does not alter the installed appearance or reduce performance and intended function.

Vantage



05/07

76 Community Avenue Plainfield, CT 06374
voice (860) 564.4512 fax (860) 564.4854
www.vantageltg.com

Luminaires