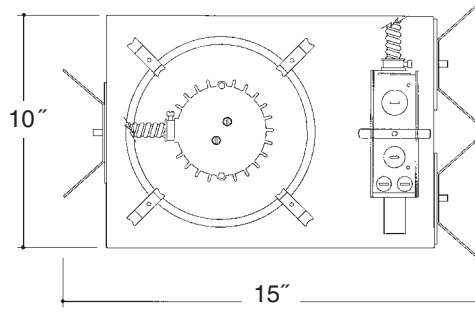


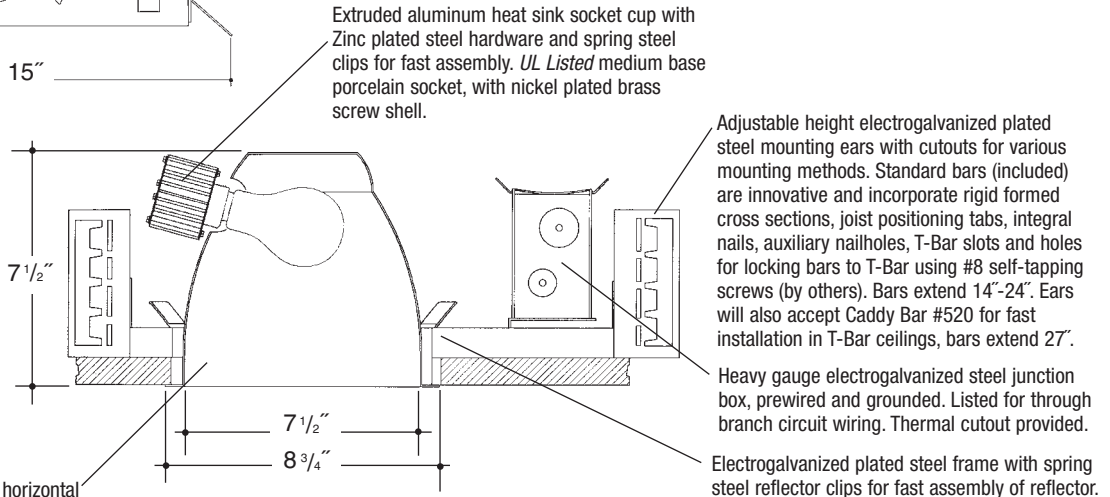
# Architectural Grade

Job Name \_\_\_\_\_

Type \_\_\_\_\_



## 8" HORIZONTAL OPEN INCANDESCENT



Extruded aluminum heat sink socket cup with Zinc plated steel hardware and spring steel clips for fast assembly. *UL Listed* medium base porcelain socket, with nickel plated brass screw shell.

Adjustable height electrogalvanized plated steel mounting ears with cutouts for various mounting methods. Standard bars (included) are innovative and incorporate rigid formed cross sections, joist positioning tabs, integral nails, auxiliary nailholes, T-Bar slots and holes for locking bars to T-Bar using #8 self-tapping screws (by others). Bars extend 14"-24". Ears will also accept Caddy Bar #520 for fast installation in T-Bar ceilings, bars extend 27".

Heavy gauge electrogalvanized steel junction box, prewired and grounded. Listed for through branch circuit wiring. Thermal cutout provided.

Electrogalvanized plated steel frame with spring steel reflector clips for fast assembly of reflector.

Heavy gauge spun aluminum horizontal reflector with self trimming white painted flange. Polished Flange available.

### Rough in Kit – 8" Horizontal Incandescent (200W A23; 150W A23, A21; 100W A19)

Catalog Number **A8INC-HOR**

<b>A8INC-HOR</b>	Wattage	Voltage	Options	Options ▲ <b>277V SD</b> Step Down Transformer 277V to 120V <b>R</b> Remodeler <b>PR</b> Plaster Ring
	200W MAX. A23 150W A23, A21 100W A19	120	277V SD R PR	

### Finishing Kit – 8" Horizontal Incandescent Open Reflector

Catalog Number **8602**

<b>8602</b>	Finish	Options	Finish (Factory Standard) <b>SCL</b> Specular Clear "Alzak" Reflector with White Flange <b>SGO</b> Specular Gold "Alzak" Reflector with White Flange <b>WHT</b> White Reflector with White Flange
	SCL SGO WHT	PF GSK	Options ▲ <b>PF</b> High Polished Flange <b>GSK</b> Neoprene Foam Single Gasketing

**Features**  
Manufactured and Listed to UL 1598, ETL and CSA standards.  
*Suitable for Damp Locations*  
*Wet location under covered ceiling*



▲ See Options and Finishes pages for a list of additional finishes and equipment.  
Vantage reserves the right to change components, finishes or design details in any manner which does not alter the installed appearance or reduce performance and intended function.



# Photometric Information

**Product Number:** A8INC-HOR/08602SCL

**Frame In Kit:** 8" Horizontal Mount Incandescent

**Reflector:** 8" Horizontal Clear "Alzak" Reflector

**LTL Test Number:** 06626 (A21)

**Lamp(s) Source:** 200W A21 Rated at 3920 lumens

**Total Luminaire Efficiency:** 81.7%

**CIE Type:** Direct

**Luminaire Spacing Criterion:** 0.8

**Luminous Diameter:** 7.5

### Zonal Lumen Summary

ZONE	LUMENS	%LAMP	%FIXTURE
0- 30	1231	31.4	38.4
0- 40	1913	48.8	59.7
0- 60	3168	80.8	98.9
0- 90	3203	81.7	100.0
90-180	0	0.0	0.0
0-180	3203	81.7	100.0

### Cone of Light

**Ft. Fc Dia**  
**Below Nadir @50%**

6.0	63.9	4.3
8.0	36.0	5.7
10.0	23.0	7.2
12.0	16.0	8.6
14.0	11.7	10.0
16.0	9.0	11.4

### Coefficients of Utilization

RC	80				70				50				30				10				0
RW	70	50	30	10	70	50	30	10	50	30	10	50	30	10	50	30	10	50	30	10	0
0	97	97	97	97	95	95	95	95	91	91	91	87	87	87	83	83	83	82			
1	92	89	87	85	90	88	86	84	84	83	81	81	80	79	78	77	76	75			
2	87	82	79	75	85	81	77	75	78	75	73	76	73	71	73	72	70	68			
3	81	75	71	67	80	74	70	66	72	68	65	70	67	64	68	66	63	62			
4	76	69	64	60	75	68	63	60	66	62	59	65	61	58	63	60	58	56			
5	71	63	58	54	70	63	57	54	61	57	53	60	56	53	58	55	52	51			
6	67	58	52	48	65	57	52	48	56	51	48	55	50	47	54	50	47	45			
7	62	53	47	43	60	52	46	42	51	46	42	50	45	42	49	45	42	40			
8	57	48	42	38	56	47	42	38	46	41	38	45	41	37	45	40	37	36			
9	53	44	38	34	52	43	38	34	42	37	34	41	37	33	41	36	33	32			
10	49	40	34	30	48	39	34	30	39	33	30	38	33	30	37	33	30	28			

