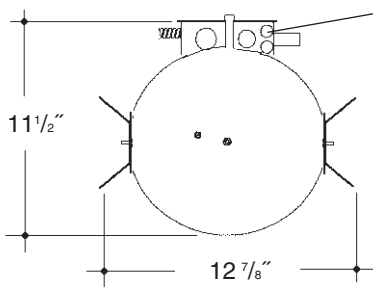


Architectural Grade

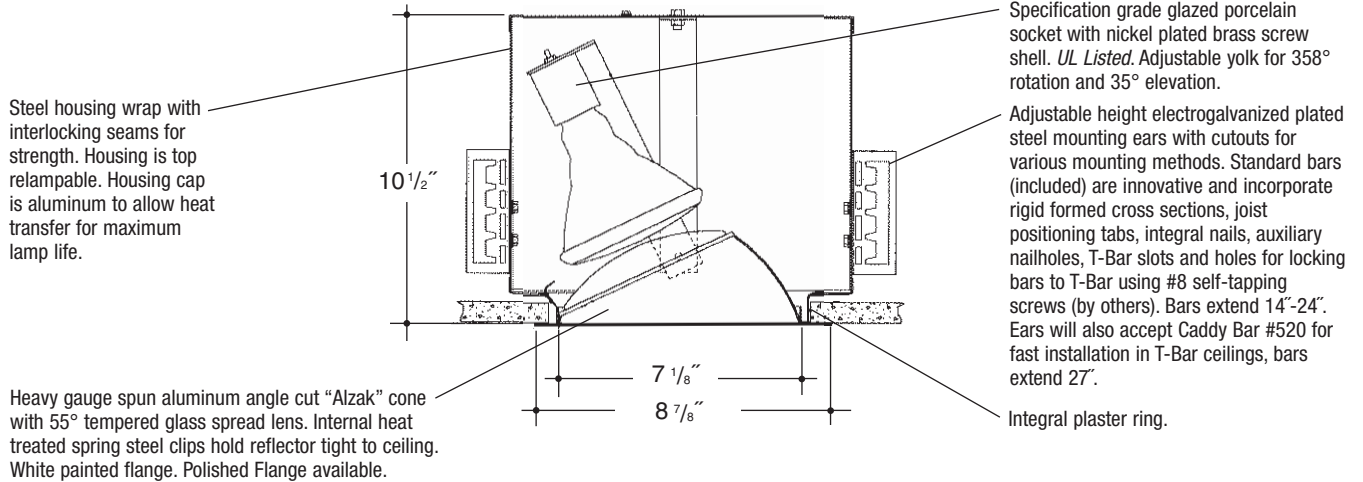
Job Name _____

Type _____



Heavy gauge electrogalvanized steel junction box, prewired and grounded with easy access from below. Listed for through branch circuit wiring. *UL Listed.* Thermal cutout provided.

8" SPREAD LENS WALL WASH INCANDESCENT



Rough in Kit – 8" Incandescent Adjustable Wall Washer (150W, 120W PAR38; 100W PAR38, BR40)

Catalog Number **PA8INC-ADJ-WW**

PA8INC-ADJ-WW

Wattage

Voltage

Options

Options ▲

277V SD

Step Down Transformer 277V to 120V

150W MAX. PAR38
120W PAR38
100W PAR38, BR40

120

277V SD

Finishing Kit – 8" Incandescent Angle Cut "Alzak" Cone 55° Spread Lens Wall Washer

Catalog Number **A8037**

A8037

Wattage

Options

SCL
SGO
WHT

PF
GSK

Finish (Factory Standard)

SCL Specular Clear "Alzak" with White Flange
SGO Specular Gold "Alzak" with White Flange
WHT White Reflector with White Flange

Options ▲

PF High Polished Flange
GSK Neoprene Foam Single Gasketing

Features

Manufactured and Listed to UL 1598, ETL and CSA standards.
Suitable for Damp Locations
Wet location under covered ceiling



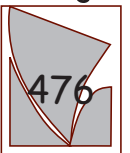
▲ See Options and Finishes pages for a list of additional finishes and equipment.

Vantage reserves the right to change components, finishes or design details in any manner which does not alter the installed appearance or reduce performance and intended function.

05/07

76 Community Avenue Plainfield, CT 06374
voice (860) 564.4512 fax (860) 564.4854
www.vantageltg.com

Vantage



Luminaires