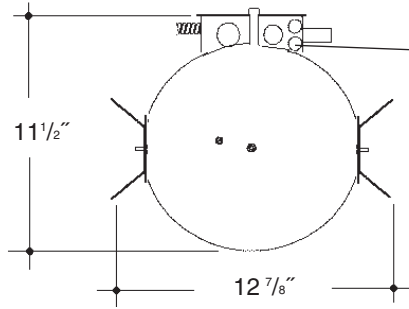


Architectural Grade

Job Name _____

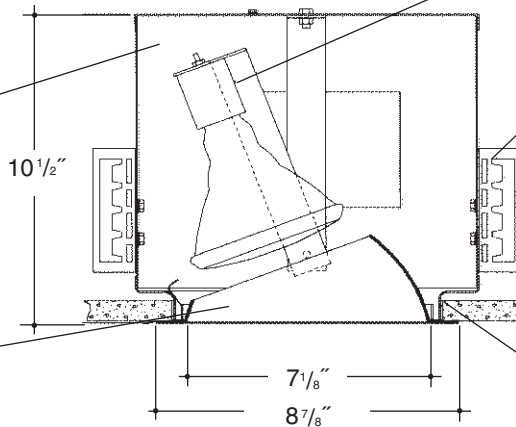
Type _____



Heavy gauge electrogalvanized steel junction box, prewired and grounded with easy access from below. Listed for through branch circuit wiring. *UL Listed* thermal cutout provided.

8" ADJUSTABLE/FIXED INCANDESCENT

Steel housing wrap with interlocking seams for strength. Housing is top relampable. Housing cap is aluminum to allow heat transfer for maximum lamp life.



Specification grade glazed porcelain socket with nickel plated brass screw shell. *UL Listed*. Adjustable yolk for 358° rotation and 35° elevation. Fixed position yolk straight down.

Adjustable height electrogalvanized plated steel mounting ears with cutouts for various mounting methods. Standard bars (included) are innovative and incorporate rigid formed cross sections, joist positioning tabs, integral nails, auxiliary nailholes, T-Bar slots and holes for locking bars to T-Bar using #8 self-tapping screws (by others). Bars extend 14"-24". Ears will also accept Caddy Bar #520 for fast installation in T-Bar ceilings, bars extend 27".

Heavy gauge spun aluminum angle cut "Alzak" cone. Internal heat treated spring steel clips hold reflector tight to ceiling. White painted flange. Polished Flange available. "Angle Cut" or "Straight Cut".

Integral plaster ring.

Rough In Kit – 8" Incandescent Adjustable (300W BR40; 250W, 150W, 120W PAR38; 100W PAR38, BR40)

Catalog Number **PA8INC-ADJ; PA8INC-FIX**

PA8INC-ADJ
(Adjustable)

Wattage

Voltage

Options

Options ▲

277V SD

Step Down Transformer 277V to 120V

PA8INC-FIX
(Fixed)

300W MAX. BR40
250W PAR38
150W PAR38
120W PAR38
100W PAR38, BR40

120

277V SD

Finishing Kit – 8" Incandescent Angle Cut or Straight Cut "Alzak" Cone

Catalog Number **A8030**

A8030D

A8060

Finish

Options

Finish (Factory Standard)

SCL

Specular Clear "Alzak" with White Flange

SGO

Specular Gold "Alzak" with White Flange

WHT

White Reflector with White Flange

A8030

Angle Cut Cone (0°-45°)

SCL

PF

A8030D

Deep Angle Cut Cone (20°-45°)

SGO

GSK

WHT

Options ▲

PF

High Polished Flange

GSK

Neoprene Foam Single Gasketing

A8060

Straight Cut Cone (0°)

Features

Manufactured and Listed to UL 1598, ETL and CSA standards.
Suitable for Damp Locations
Wet location under covered ceiling



▲ See Options and Finishes pages for a list of additional finishes and equipment.

Vantage reserves the right to change components, finishes or design details in any manner which does not alter the installed appearance or reduce performance and intended function.

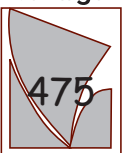
05/07

76 Community Avenue Plainfield, CT 06374

voice (860) 564.4512 fax (860) 564.4854

www.vantageltg.com

Vantage



Luminaires