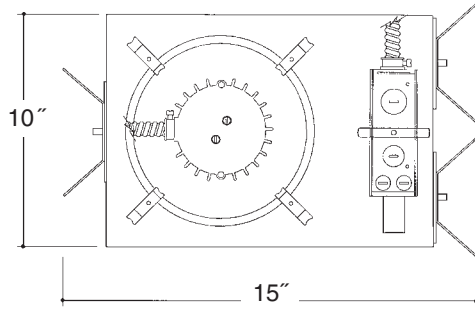


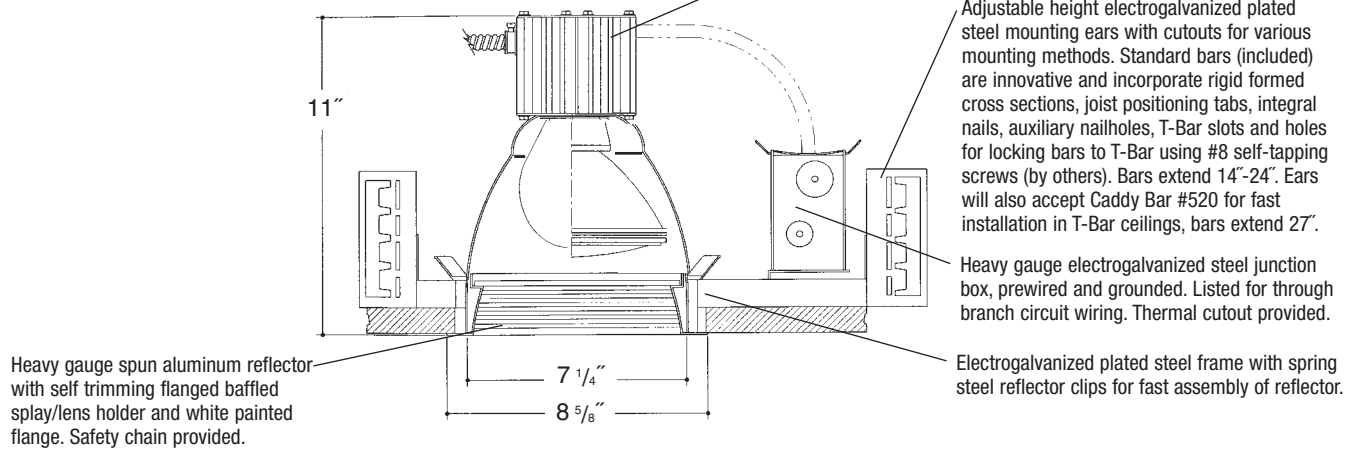
Architectural Grade

Job Name _____

Type _____



8" LENSED BAFFLED INCANDESCENT



Rough in Kit – 8" Incandescent (200W A23; 150W A21; 120W PAR38; 90W PAR38; 75W PAR38; 100W PAR30)

Catalog Number **A8INC**

A8INC

Wattage

Voltage

Options

200W MAX. A23
150W A21
120W PAR38
90W PAR38
75W PAR38
100W PAR30

120

277V SD
R
PR

Options ▲

277V SD Step Down Transformer 277V to 120V
R Remodeler
PR Plaster Ring

Finishing Kit – 8" Incandescent Lensed Reflector – clear reflector standard with Black or White Baffled Splay

Catalog Number **80**

80

Lens

Finish

Options

8021 - Tempered Clear Lens
8024 - Tempered Prismatic Lens (C73 Pattern)
8026 - Fresnel Lens

SCL/BL
SCL/WH
WHT/WH
WHT/BL

DGSK

Finish (Factory Standard)

SCL/BL Specular Clear "Alzak" with Black Baffled Splay
SCL/WH Specular Clear "Alzak" with White Baffled Splay
WHT/WH White Reflector with White Baffled Splay
WHT/BL White Reflector with Black Baffled Splay

Options ▲

DGSK Neoprene Foam Double Gasketing

Features

Manufactured and Listed to UL 1598, ETL and CSA standards.
Suitable for Damp Locations
Wet location under covered ceiling



▲ See Options and Finishes pages for a list of additional finishes and equipment.

Vantage reserves the right to change components, finishes or design details in any manner which does not alter the installed appearance or reduce performance and intended function.

08/08

76 Community Avenue Plainfield, CT 06374
voice (860) 564.4512 fax (860) 564.4854
www.vantageltg.com

