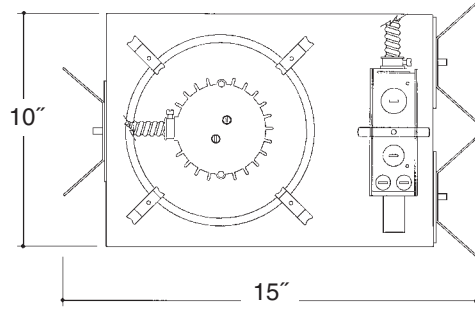


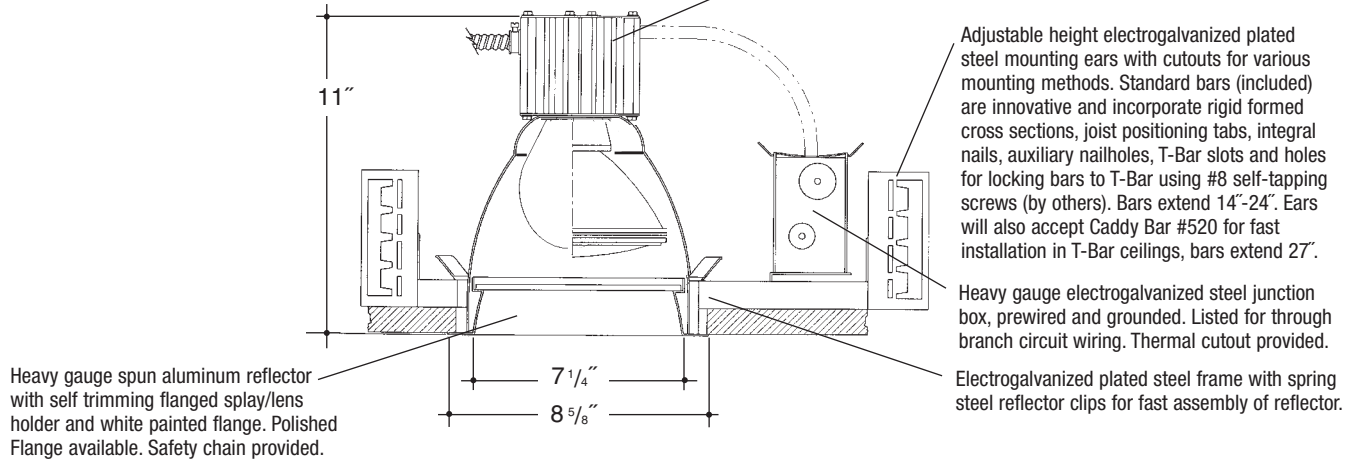
Architectural Grade

Job Name _____

Type _____



8" LENSED INCANDESCENT



Rough in Kit – 8" Incandescent (200W A23; 150W A21; 120W PAR38; 90W PAR38; 75W PAR38; 100W PAR30)

Catalog Number **A8INC**

A8INC	Wattage	Voltage	Options	Options ▲
	200W MAX. A23	120	277V SD	277V SD Step Down Transformer 277V to 120V
	150W A21		R	R Remodeler
	120W PAR38		PR	PR Plaster Ring
	90W PAR38			
	75W PAR38			
	100W PAR30			

Finishing Kit – 8" Incandescent Lensed Reflector – clear reflector standard with White Splay and self trim flange

Catalog Number **80**

80	Lens	Finish	Options	Finish (Factory Standard)
	8011 - Tempered Clear Lens	SCL	PF	SCL Specular Clear "Alzak" Splay with White Flange
	8014 - Tempered Prismatic Lens (C73 Pattern)	SGO	DGSK	SGO Specular Gold "Alzak" Splay with White Flange
	8016 - Fresnel Lens	WHT		WHT White Splay with White Flange
				Options ▲
				PF High Polished Flange
				DGSK Neoprene Foam Double Gasketing

Features

Manufactured and Listed to UL 1598, ETL and CSA standards.
Suitable for Damp Locations
Wet location under covered ceiling



▲ See Options and Finishes pages for a list of additional finishes and equipment.

Vantage reserves the right to change components, finishes or design details in any manner which does not alter the installed appearance or reduce performance and intended function.

08/08

76 Community Avenue Plainfield, CT 06374
voice (860)564.4512 fax (860)564.4854
www.vantageltg.com

