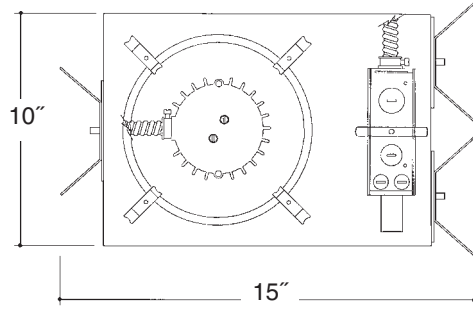


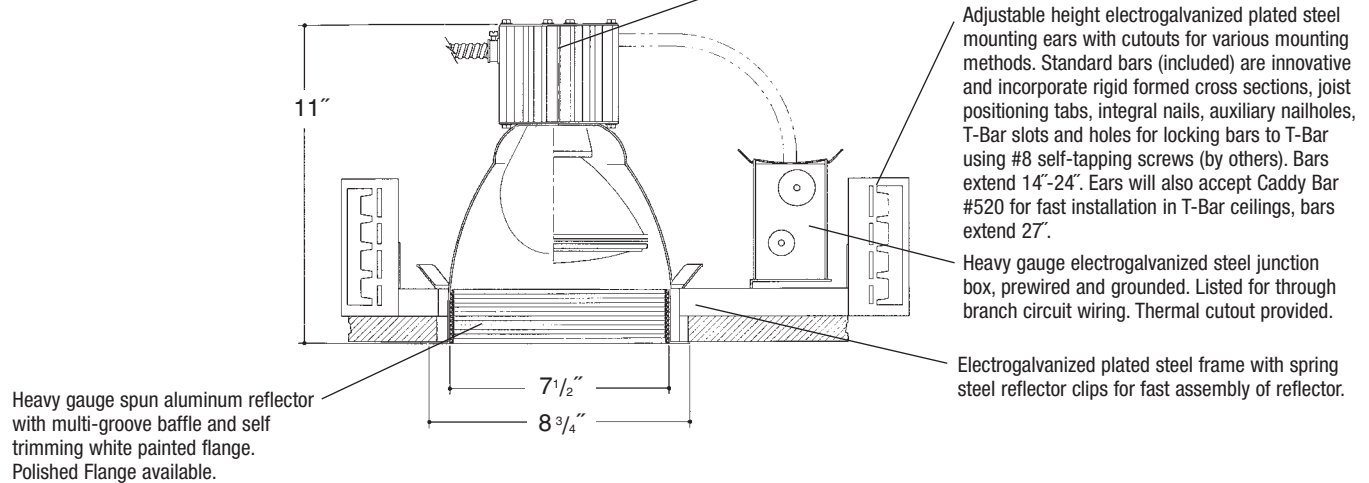
# Architectural Grade

Job Name \_\_\_\_\_

Type \_\_\_\_\_



## 8" OPEN BAFFLED INCANDESCENT



### Rough in Kit – 8" Incandescent (250W PAR38; 200W A23; 100W PAR38; 150W A21; 100W PAR30)

Catalog Number **A8INC**

**A8INC**

Wattage

Voltage

Options

250W MAX. PAR38  
200W A23  
100W PAR38  
150W A21  
100W PAR30

120

277V SD  
R  
PR

Options ▲

277V SD

R

PR

Step Down Transformer 277V to 120V  
Remodeler  
Plaster Ring

### Finishing Kit – 8" Incandescent Open Baffled Reflector

Catalog Number **8050**

**8050**

Finish

Options

SCL/BL  
SGO/BL  
SCL/WH  
SGO/WH  
WHT/WH  
WHT/BL

PF  
GSK

Finish (Factory Standard)

SCL/BL

SGO/BL

SCL/WH

SGO/WH

WHT/WH

WHT/BL

Specular Clear "Alzak" with White Flange and Black Baffle  
Specular Gold "Alzak" with White Flange and Black Baffle  
Specular Clear "Alzak" with White Flange and White Baffle  
Specular Gold "Alzak" with White Flange and White Baffle  
White Reflector with White Flange and White Baffle  
White Reflector with White Flange and Black Baffle

Options ▲

PF

GSK

High Polished Flange  
Neoprene Foam Single Gasketing

### Features

Manufactured and Listed to UL 1598, ETL and CSA standards.  
Suitable for Damp Locations  
Wet location under covered ceiling



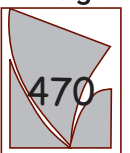
▲ See Options and Finishes pages for a list of additional finishes and equipment.

Vantage reserves the right to change components, finishes or design details in any manner which does not alter the installed appearance or reduce performance and intended function.

05/07

76 Community Avenue Plainfield, CT 06374  
voice (860) 564.4512 fax (860) 564.4854  
www.vantageltg.com

Vantage



Luminaires