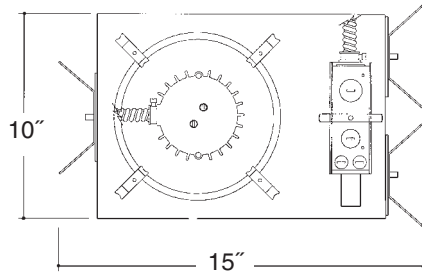


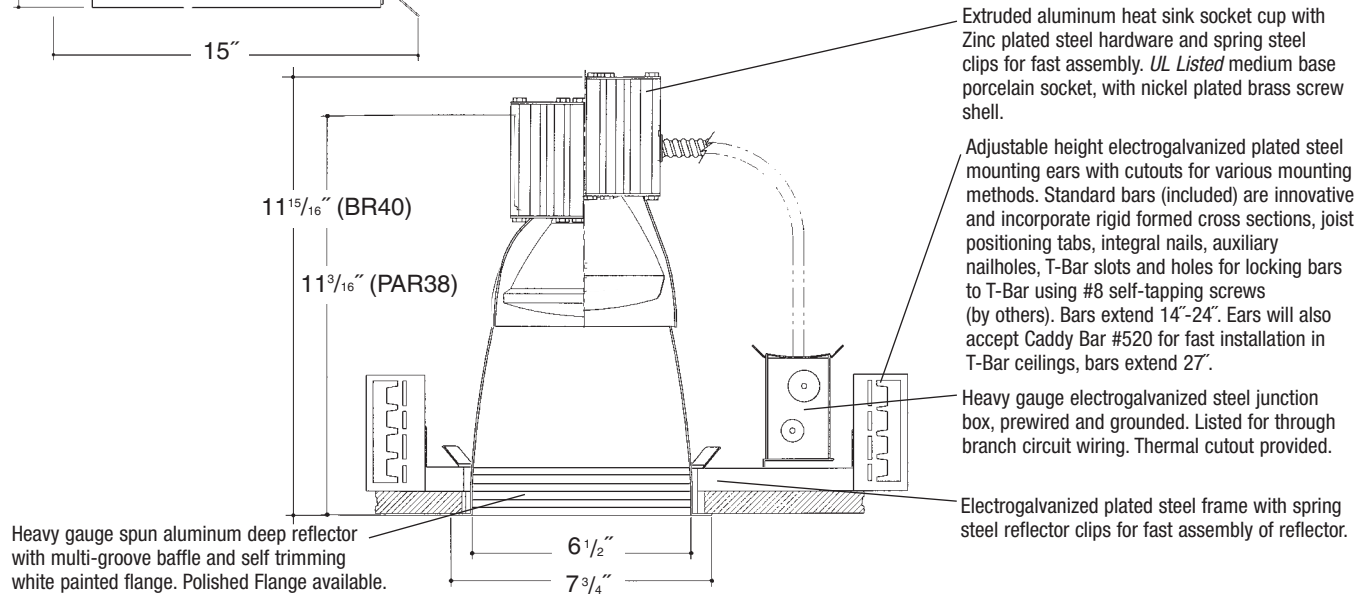
# Architectural Grade

Job Name \_\_\_\_\_

Type \_\_\_\_\_



**7" DEEP OPEN BAFFLED**



Extruded aluminum heat sink socket cup with Zinc plated steel hardware and spring steel clips for fast assembly. *UL Listed* medium base porcelain socket, with nickel plated brass screw shell.

Adjustable height electrogalvanized plated steel mounting ears with cutouts for various mounting methods. Standard bars (included) are innovative and incorporate rigid formed cross sections, joist positioning tabs, integral nails, auxiliary nailholes, T-Bar slots and holes for locking bars to T-Bar using #8 self-tapping screws (by others). Bars extend 14"-24". Ears will also accept Caddy Bar #520 for fast installation in T-Bar ceilings, bars extend 27".

Heavy gauge electrogalvanized steel junction box, prewired and grounded. Listed for through branch circuit wiring. Thermal cutout provided.

Electrogalvanized plated steel frame with spring steel reflector clips for fast assembly of reflector.

Heavy gauge spun aluminum deep reflector with multi-groove baffle and self trimming white painted flange. Polished Flange available.

## Rough in Kit – 7" Incandescent (300W BR40; 250W PAR38; 150W PAR38)

Catalog Number **PA77INC**

**PA77INC**

**Wattage**

300W MAX. BR40  
250W PAR38  
150W PAR38

**Voltage**

120

**Options**

277V SD  
R  
PR

Options ▲

**277V SD**

**R**

**PR**

Step Down Transformer 277V to 120V  
Remodeler  
Plaster Ring

## Finishing Kit – 7" Incandescent Deep Open Baffled

Catalog Number **7550**

**7550**

**Finish**

SCL/BL  
SGO/BL  
SCL/WH  
SGO/WH  
WHT/WH  
WHT/BL

**Options**

PF  
GSK

Finish (Factory Standard)

**SCL/BL**

Specular Clear "Alzak" with White Flange and Black Baffle

**SGO/BL**

Specular Gold "Alzak" with White Flange and Black Baffle

**SCL/WH**

Specular Clear "Alzak" with White Flange and White Baffle

**SGO/WH**

Specular Gold "Alzak" with White Flange and White Baffle

**WHT/WH**

White Reflector with White Flange and White Baffle

**WHT/BL**

White Reflector with White Flange and Black Baffle

Options ▲

**PF**

High Polished Flange

**GSK**

Neoprene Foam Single Gasketing

## Features

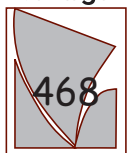
Manufactured and Listed to UL 1598, ETL and CSA standards.  
Suitable for Damp Locations  
Wet location under covered ceiling



▲ See Options and Finishes pages for a list of additional finishes and equipment.

Vantage reserves the right to change components, finishes or design details in any manner which does not alter the installed appearance or reduce performance and intended function.

Vantage



05/07

76 Community Avenue Plainfield, CT 06374

voice (860) 564.4512 fax (860) 564.4854

www.vantageltg.com

Luminaires