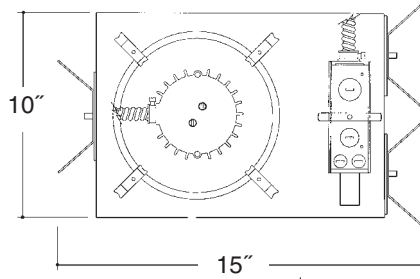


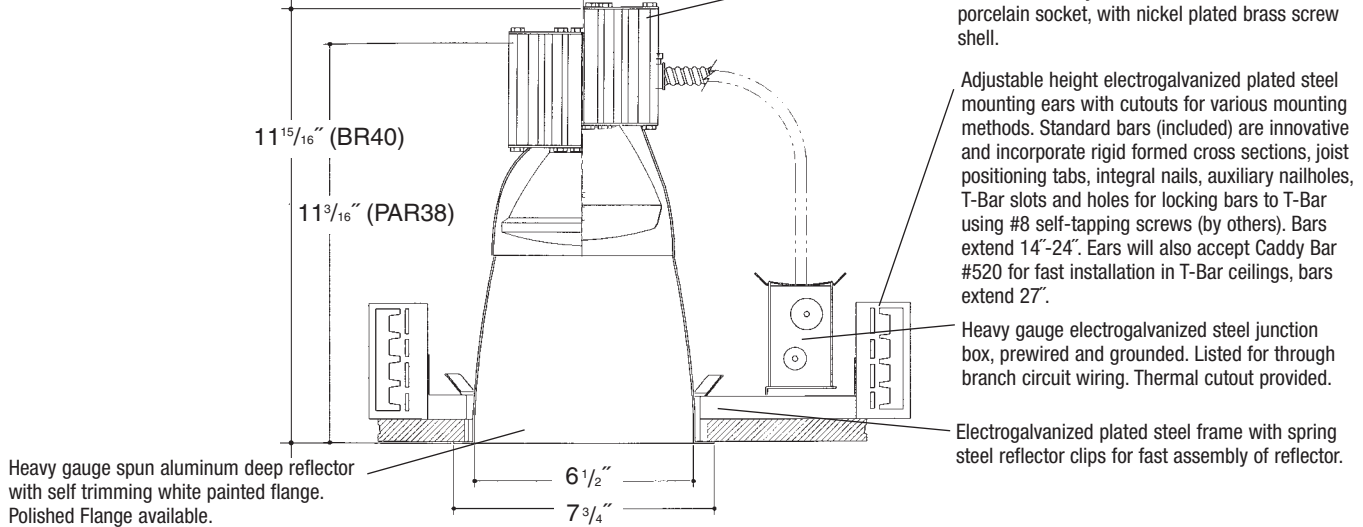
Architectural Grade

Job Name _____

Type _____



7" DEEP OPEN INCANDESCENT



Extruded aluminum heat sink socket cup with Zinc plated steel hardware and spring steel clips for fast assembly. *UL Listed* medium base porcelain socket, with nickel plated brass screw shell.

Adjustable height electrogalvanized plated steel mounting ears with cutouts for various mounting methods. Standard bars (included) are innovative and incorporate rigid formed cross sections, joint positioning tabs, integral nails, auxiliary nailholes, T-Bar slots and holes for locking bars to T-Bar using #8 self-tapping screws (by others). Bars extend 14"-24". Ears will also accept Caddy Bar #520 for fast installation in T-Bar ceilings, bars extend 27".

Heavy gauge electrogalvanized steel junction box, prewired and grounded. Listed for through branch circuit wiring. Thermal cutout provided.

Electrogalvanized plated steel frame with spring steel reflector clips for fast assembly of reflector.

Heavy gauge spun aluminum deep reflector with self trimming white painted flange. Polished Flange available.

Rough in Kit – 7" Incandescent (300W BR40; 250W PAR38; 150W PAR38)

Catalog Number **PA77INC**

PA77INC

Wattage

300W MAX. BR40
250W PAR38
150W PAR38

Voltage

120

Options

277V SD
R
PR

Options ▲

277V SD

R

PR

Step Down Transformer 277V to 120V
Remodeler
Plaster Ring

Finishing Kit – 7" Incandescent Deep Open Reflector

Catalog Number **7500**

7500

Finish

SCL
SGO
WHT

Options

PF
GSK

Finish (Factory Standard)

SCL

Specular Clear "Alzak" Reflector with White Flange

SGO

Specular Gold "Alzak" Reflector with White Flange

WHT

White Reflector with White Flange

Options ▲

PF

High Polished Flange

GSK

Neoprene Foam Single Gasketing

Features

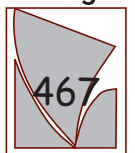
Manufactured and Listed to UL 1598, ETL and CSA standards.
Suitable for Damp Locations
Wet location under covered ceiling



▲ See Options and Finishes pages for a list of additional finishes and equipment.

Vantage reserves the right to change components, finishes or design details in any manner which does not alter the installed appearance or reduce performance and intended function.

Vantage



Luminaires

76 Community Avenue Plainfield, CT 06374
voice (860) 564.4512 fax (860) 564.4854
www.vantageltg.com

05/07

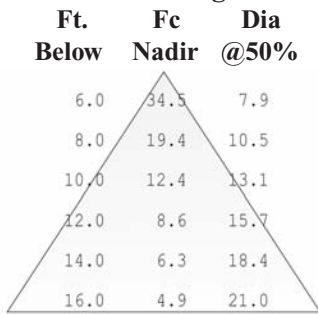
Photometric Information

Product Number: PA77INC300R40/7500SCL
Frame In Kit: 8" Vertical Mount Incandescent
Reflector: 8" Vertical Mount Clear "Alzak" Reflector
LTL Test Number: 10245
Lamp(s) Source: (1) VBU 300W R40 Flood Incandescent lamp rated at 2480 lumens
Total Luminaire Efficiency: 86.7%
CIE Type: Direct
Luminaire Spacing Criterion: 1.1
Luminous Diameter: 6.500

Zonal Lumen Summary

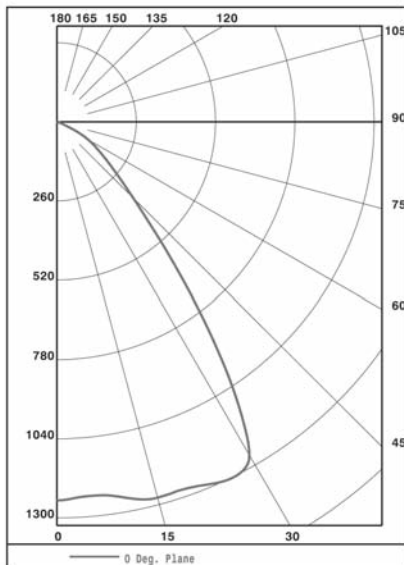
ZONE	LUMENS	%LAMP	%FIXTURE
0- 30	1078	43.5	50.1
0- 40	1652	66.6	76.9
0- 60	2088	84.2	97.1
0- 90	2150	86.7	100.0
90-180	0	0.0	0.0
0-180	2150	86.7	100.0

Cone of Light



Coefficients of Utilization

RC	80			70			50			30			10			0		
RW	70	50	30	10	70	50	30	10	50	30	10	50	30	10	50	30	10	0
0	103	103	103	103	101	101	101	101	96	96	96	92	92	92	88	88	88	87
1	98	95	93	91	96	94	91	90	90	88	87	87	85	84	84	83	82	80
2	93	89	85	82	91	87	84	81	84	81	79	82	79	77	79	77	76	74
3	88	82	77	74	86	81	77	73	78	75	72	76	73	71	74	72	70	68
4	83	76	71	67	81	75	70	67	73	69	66	71	68	65	70	67	64	63
5	78	70	65	61	77	69	64	61	68	63	60	66	63	59	65	62	59	58
6	74	65	60	56	72	65	59	55	63	58	55	62	58	55	61	57	54	53
7	69	60	54	50	68	60	54	50	58	54	50	57	53	50	56	52	49	48
8	65	56	50	46	64	55	50	46	54	49	46	53	49	46	52	48	45	44
9	61	51	46	42	60	51	45	42	50	45	42	49	45	41	48	44	41	40
10	57	48	42	38	56	47	42	38	46	42	38	46	41	38	45	41	38	37

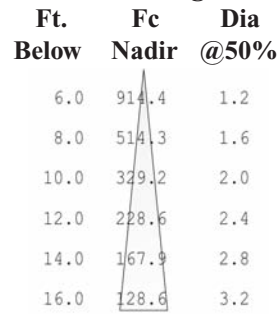


Product Number: PA77INC250PAR38/7500SCL
Frame In Kit: 8" Vertical Mount Incandescent
Reflector: 8" Vertical Mount Clear "Alzak" Reflector
LTL Test Number: 10246
Lamp(s) Source: (1) VBU 250W PAR38 Spot 10° Halogen rated at 3600 lumens
Total Luminaire Efficiency: 85.0%
CIE Type: Direct
Luminaire Spacing Criterion: 0.5
Luminous Diameter: 6.500

Zonal Lumen Summary

ZONE	LUMENS	%LAMP	%FIXTURE
0-30	2918	81.07	95.41
0-40	3058	84.94	99.97
0-60	3059	84.96	100.00
0-90	3059	84.96	100.00
90-180	0	0.00	0.00
0-180	3059	84.96	100.00

Cone of Light



Coefficients of Utilization

RC	80			70			50			30			10			0		
RW	70	50	30	10	70	50	30	10	50	30	10	50	30	10	50	30	10	0
0	101	101	101	101	99	99	99	99	94	94	94	90	90	90	87	87	87	85
1	98	96	94	93	96	94	92	91	91	90	89	88	87	86	85	84	84	82
2	95	91	89	87	93	90	88	86	87	86	84	85	84	83	83	82	81	80
3	92	87	84	82	90	86	84	82	84	82	81	83	81	79	81	79	78	77
4	89	84	81	79	88	83	80	78	82	79	77	80	78	77	79	77	76	75
5	86	81	78	76	85	81	78	75	79	77	75	78	76	74	77	75	74	73
6	84	79	75	73	83	78	75	73	77	74	72	76	74	72	75	73	72	71
7	82	76	73	71	81	76	73	71	75	72	70	74	72	70	73	71	70	69
8	80	74	71	69	79	74	71	68	73	70	68	72	70	68	72	69	68	67
9	78	72	69	67	77	72	69	67	71	68	66	71	68	66	70	68	66	65
10	76	70	67	65	75	70	67	65	70	67	65	69	66	65	69	66	64	64

