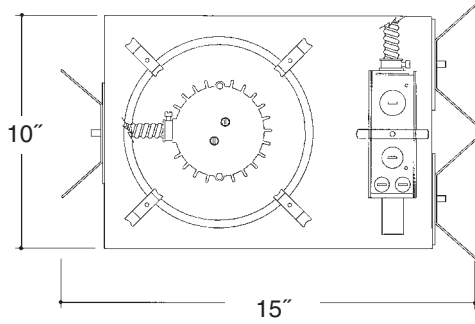


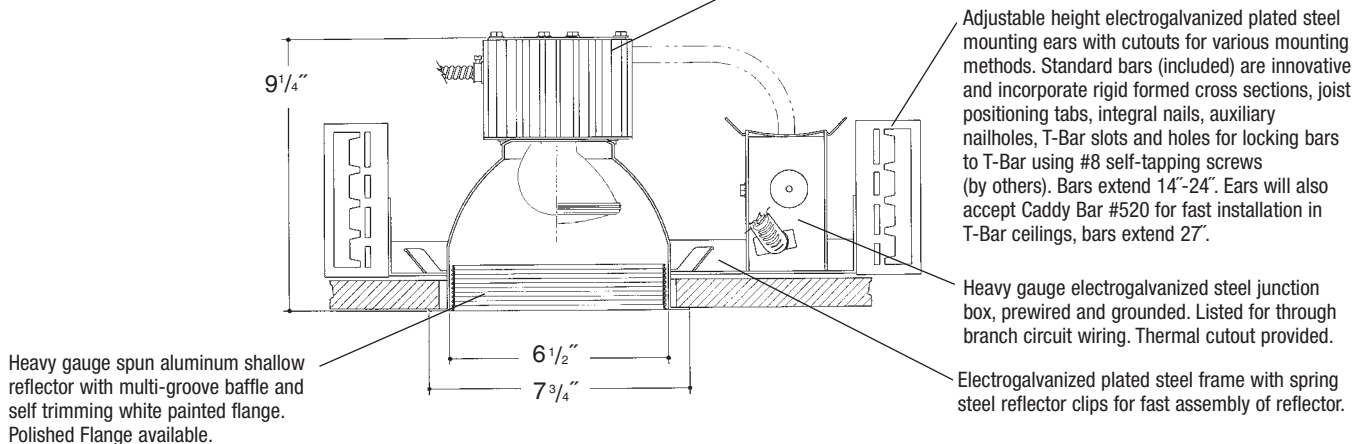
Architectural Grade

Job Name _____

Type _____



7" SHALLOW BAFFLED PAR38-30



Rough in Kit – 7" Incandescent (150W PAR38; 150W A21; 120W BR40; 100W PAR30)

Catalog Number **A7INC**

A7INC

Wattage

Voltage

Options

Options ▲

277V SD

R

PR

Step Down Transformer 277V to 120V

Remodeler

Plaster Ring

150W MAX. PAR38
150W A21
120W BR40
100W PAR30

120

277V SD
R
PR

Finishing Kit – 7" Incandescent Shallow Open Baffled Reflector

Catalog Number **7350**

7350

Finish

Options

SCL/BL
SGO/BL
SCL/WH
SGO/WH
WHT/WH
WHT/BL

PF
GSK

Finish (Factory Standard)

SCL/BL Specular Clear "Alzak" with White Flange and Black Baffle
SGO/BL Specular Gold "Alzak" with White Flange and Black Baffle
SCL/WH Specular Clear "Alzak" with White Flange and White Baffle
SGO/WH Specular Gold "Alzak" with White Flange and White Baffle
WHT/WH White Reflector with White Flange and White Baffle
WHT/BL White Reflector with White Flange and Black Baffle

Options ▲

PF

GSK

High Polished Flange

Neoprene Foam Single Gasketing

Features

Manufactured and Listed to UL 1598, ETL and CSA standards.
Suitable for Damp Locations
Wet location under covered ceiling



▲ See Options and Finishes pages for a list of additional finishes and equipment.

Vantage reserves the right to change components, finishes or design details in any manner which does not alter the installed appearance or reduce performance and intended function.

06/07

76 Community Avenue Plainfield, CT 06374
voice (860)564.4512 fax (860)564.4854
www.vantageltg.com

Vantage



Luminaires