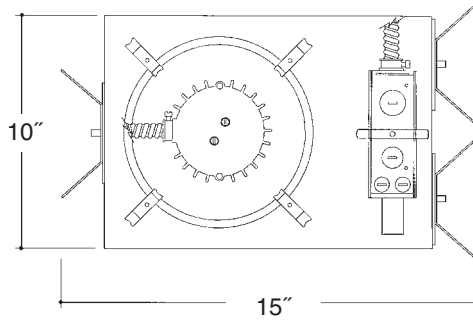


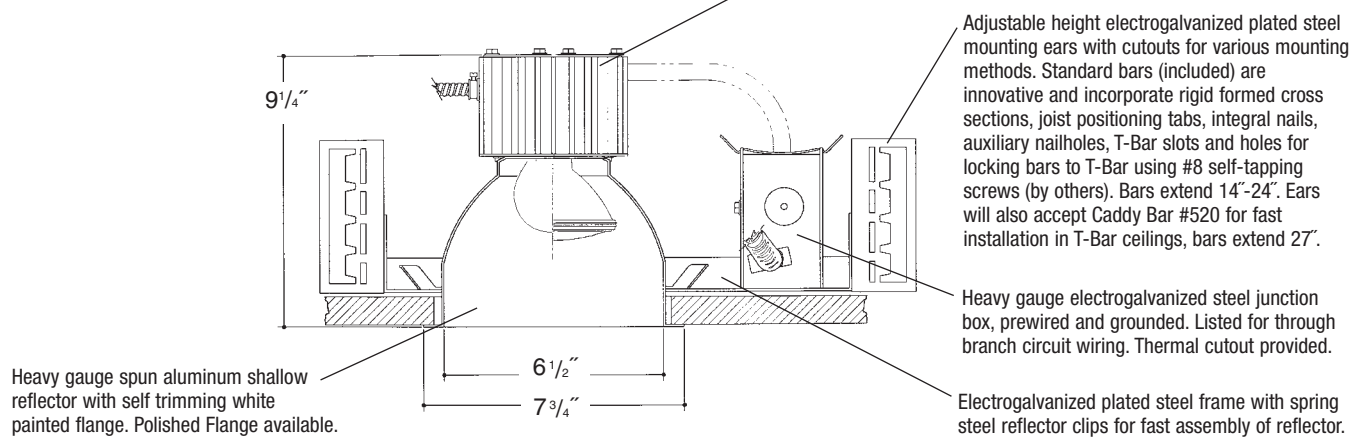
# Architectural Grade

Job Name \_\_\_\_\_

Type \_\_\_\_\_



## 7" SHALLOW OPEN PAR38-30



Extruded aluminum heat sink socket cup with Zinc plated steel hardware and spring steel clips for fast assembly. *UL Listed* medium base porcelain socket, with nickel plated brass screw shell.

Adjustable height electrogalvanized plated steel mounting ears with cutouts for various mounting methods. Standard bars (included) are innovative and incorporate rigid formed cross sections, joist positioning tabs, integral nails, auxiliary nailholes, T-Bar slots and holes for locking bars to T-Bar using #8 self-tapping screws (by others). Bars extend 14'-24". Ears will also accept Caddy Bar #520 for fast installation in T-Bar ceilings, bars extend 27".

Heavy gauge electrogalvanized steel junction box, prewired and grounded. Listed for through branch circuit wiring. Thermal cutout provided.

Electrogalvanized plated steel frame with spring steel reflector clips for fast assembly of reflector.

### Rough in Kit – 7" Incandescent (150W PAR38; 150W A21; 120W BR40; 100W PAR30)

Catalog Number **A7INC**

<b>A7INC</b>	<b>Wattage</b>	<b>Voltage</b>	<b>Options</b>	<b>Options ▲</b>
	150W MAX. PAR38 150W A21 120W BR40 100W PAR30	120	277V SD R PR	277V SD Step Down Transformer 277V to 120V R Remodeler PR Plaster Ring

### Finishing Kit – 7" Incandescent Shallow Open Reflector

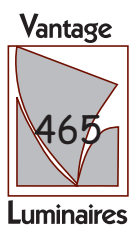
Catalog Number **7300**

<b>7300</b>	<b>Finish</b>	<b>Options</b>	<b>Finish (Factory Standard)</b>	<b>Options ▲</b>
	SCL SGO WHT	PF GSK	SCL Specular Clear "Alzak" Reflector with White Flange SGO Specular Gold "Alzak" Reflector with White Flange WHT White Reflector with White Flange	PF High Polished Flange GSK Neoprene Foam Single Gasketing

**Features**  
Manufactured and Listed to UL 1598, ETL and CSA standards.  
*Suitable for Damp Locations*  
*Wet location under covered ceiling*



▲ See Options and Finishes pages for a list of additional finishes and equipment.  
Vantage reserves the right to change components, finishes or design details in any manner which does not alter the installed appearance or reduce performance and intended function.



76 Community Avenue Plainfield, CT 06374  
voice (860) 564.4512 fax (860) 564.4854  
www.vantageltg.com

06/07