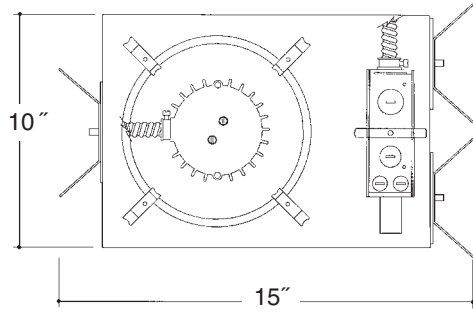


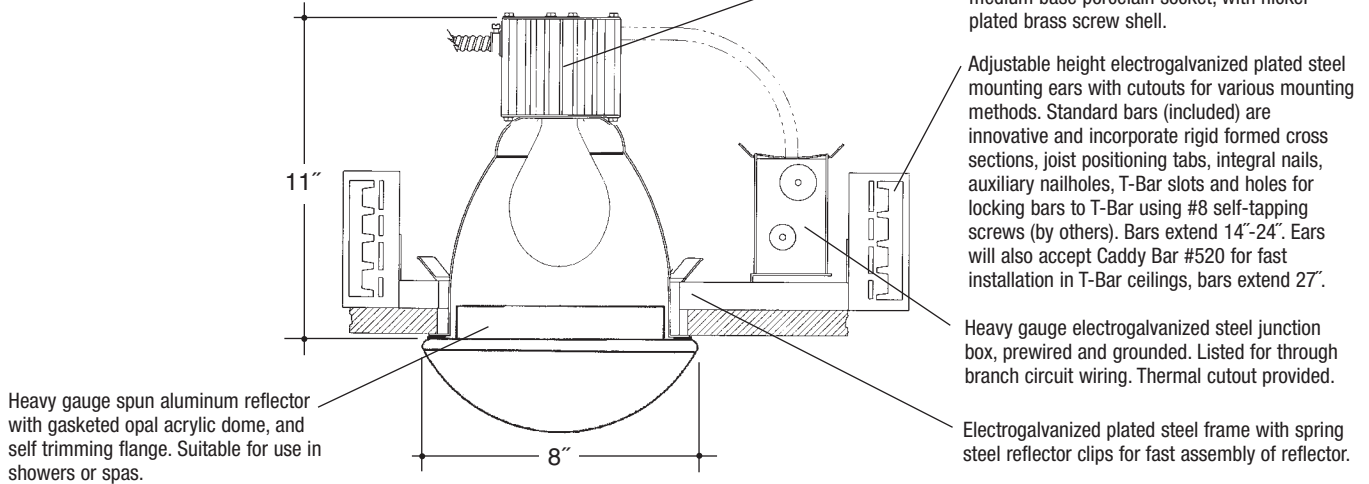
Architectural Grade

Job Name _____

Type _____



7" OPAL ACRYLIC DOME SHOWER LIGHT INCANDESCENT



Rough in Kit – 7" Incandescent (150W A23, A21)

Catalog Number **A7INC**

A7INC

Wattage

150W MAX. A23, A21

Voltage

120

Options

277V SD
R
PR

Options ▲

277V SD

Step Down Transformer 277V to 120V

R

Remodeler

PR

Plaster Ring

Finishing Kit – 7" Incandescent Opal Acrylic Dome Shower Light Reflector - clear reflector standard with self trim flange

Catalog Number **7015**

7015

Options

DGSK

Options ▲

DGSK

Neoprene Foam Double Gasketing

Features

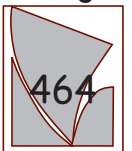
Manufactured and Listed to UL 1598, ETL and CSA standards.
Suitable for Damp Locations
Wet location under covered ceiling



▲ See Options and Finishes pages for a list of additional finishes and equipment.

Vantage reserves the right to change components, finishes or design details in any manner which does not alter the installed appearance or reduce performance and intended function.

Vantage



Luminaires

76 Community Avenue Plainfield, CT 06374

voice (860)564.4512 fax (860)564.4854

www.vantageltg.com

05/07