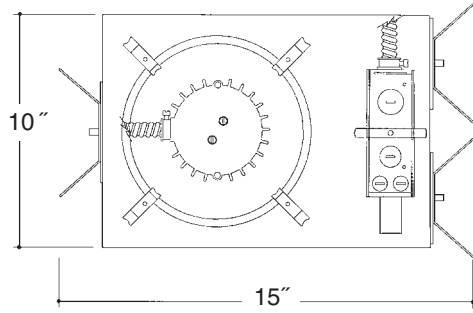


Architectural Grade

Job Name _____

Type _____

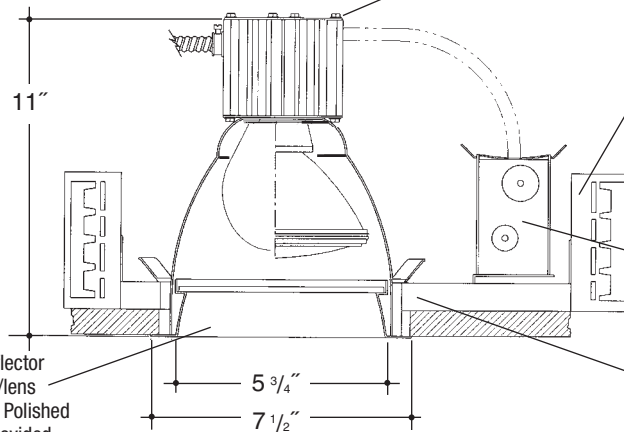


**7" LENSED
INCANDESCENT**

Extruded aluminum heat sink socket cup with Zinc plated steel hardware and spring steel clips for fast assembly. *UL Listed* medium base porcelain socket, with nickel plated brass screw shell.

Adjustable height electrogalvanized plated steel mounting ears with cutouts for various mounting methods. Standard bars (included) are innovative and incorporate rigid formed cross sections, joist positioning tabs, integral nails, auxiliary nailholes, T-Bar slots and holes for locking bars to T-Bar using #8 self-tapping screws (by others). Bars extend 14"-24". Ears will also accept Caddy Bar #520 for fast installation in T-Bar ceilings, bars extend 27".

Heavy gauge electrogalvanized steel junction box, prewired and grounded. Listed for through branch circuit wiring. Thermal cutout provided.



Heavy gauge spun aluminum reflector with self trimming flanged splay/lens holder and white painted flange. Polished Flange available. Safety chain provided.

Electrogalvanized plated steel frame with spring steel reflector clips for fast assembly of reflector.

Rough in Kit – 7" Incandescent (150W A23, A21; 90W PAR38; 75W PAR30)

Catalog Number **A7INC**

A7INC

Wattage

150W MAX. A23, A21
90W PAR38
75W PAR30

Voltage

120

Options

277V SD
R
PR

Options ▲

277V SD Step Down Transformer 277V to 120V
R Remodeler
PR Plaster Ring

Finishing Kit – 7" Incandescent Lensed Reflector – clear reflector standard with White Splay and self trim flange

Catalog Number **70**

70

Lens

7011 - Tempered Clear Lens
7014 - Tempered Prismatic Lens (C73 Pattern)
7015 - Opal Acrylic Dome (Shower Light)
7016 - Fresnel Lens
7018 - Flat Alba Lens
7019 - Drop Opal Lens

Finish

SCL
SGO
WHT

Options

PF
DGSK

Finish (Factory Standard)

SCL Specular Clear "Alzak" Splay with White Flange
SGO Specular Gold "Alzak" Splay with White Flange
WHT White Splay with White Flange

Options ▲

PF High Polished Flange
DGSK Neoprene Foam Double Gasketing

Features

Manufactured and Listed to UL 1598, ETL and CSA standards.
Suitable for Damp Locations
Wet location under covered ceiling



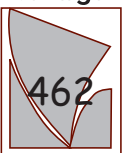
▲ See Options and Finishes pages for a list of additional finishes and equipment.

Vantage reserves the right to change components, finishes or design details in any manner which does not alter the installed appearance or reduce performance and intended function.

08/08

76 Community Avenue Plainfield, CT 06374
voice (860) 564.4512 fax (860) 564.4854
www.vantageltg.com

Vantage



Luminaires