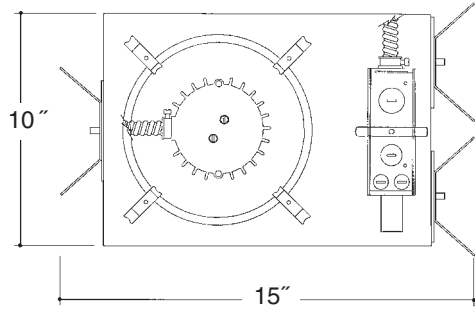


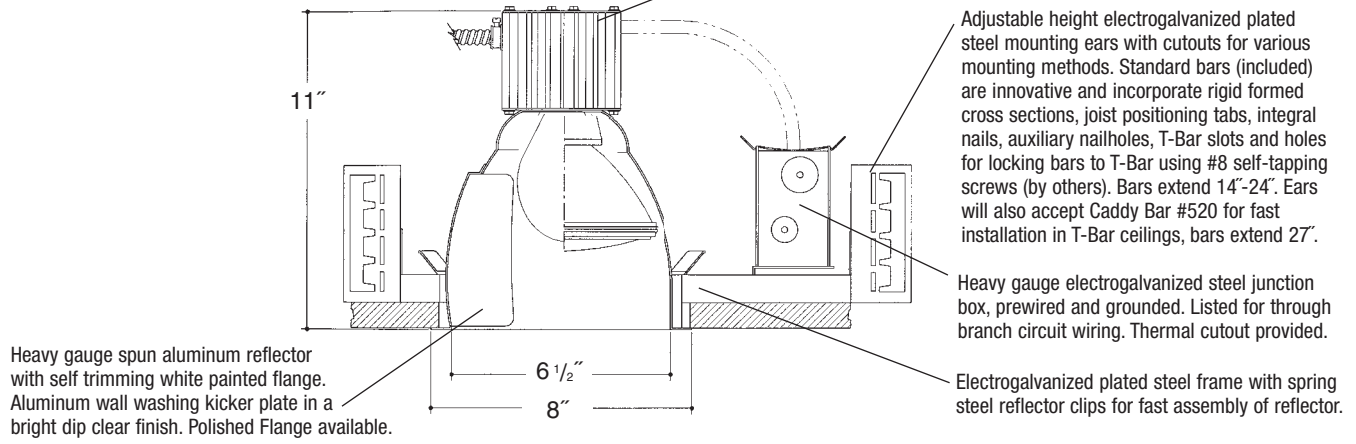
Architectural Grade

Job Name _____

Type _____



7" OPEN WALL WASH INCANDESCENT



Extruded aluminum heat sink socket cup with Zinc plated steel hardware and spring steel clips for fast assembly. *UL Listed* medium base porcelain socket, with nickel plated brass screw shell.

Adjustable height electrogalvanized plated steel mounting ears with cutouts for various mounting methods. Standard bars (included) are innovative and incorporate rigid formed cross sections, joist positioning tabs, integral nails, auxiliary nailholes, T-Bar slots and holes for locking bars to T-Bar using #8 self-tapping screws (by others). Bars extend 14'-24". Ears will also accept Caddy Bar #520 for fast installation in T-Bar ceilings, bars extend 27'.

Heavy gauge electrogalvanized steel junction box, prewired and grounded. Listed for through branch circuit wiring. Thermal cutout provided.

Electrogalvanized plated steel frame with spring steel reflector clips for fast assembly of reflector.

Heavy gauge spun aluminum reflector with self trimming white painted flange. Aluminum wall washing kicker plate in a bright dip clear finish. Polished Flange available.

Rough in Kit – 7" Incandescent (150W A23, A21; 120W PAR38; 100W PAR38; 100W PAR30)

Catalog Number **A7INC**

A7INC

Wattage

Voltage

Options

150W MAX. A23, A21
120W PAR38
100W PAR38
100W PAR30

120

277V SD
R
PR

Options ▲

277V SD
R
PR

Step Down Transformer 277V to 120V
Remodeler
Plaster Ring

Finishing Kit – 7" Incandescent Open Reflector Downlight Wall Washer

Catalog Number **7100**

7100

Finish

Options

SCL
SGO

PF
DWW
CWW
GSK

Finish (Factory Standard)

SCL
SGO

Specular Clear "Alzak" Reflector with White Flange
Specular Gold "Alzak" Reflector with White Flange

Options ▲

PF
DWW
CWW
GSK

High Polished Flange
Double Wall Washer
Corner Wall Washer
Neoprene Foam Single Gasketing

Features

Manufactured and Listed to UL 1598, ETL and CSA standards.
Suitable for Damp Locations
Wet location under covered ceiling



▲ See Options and Finishes pages for a list of additional finishes and equipment.

Vantage reserves the right to change components, finishes or design details in any manner which does not alter the installed appearance or reduce performance and intended function.

05/07

76 Community Avenue Plainfield, CT 06374
voice (860)564.4512 fax (860)564.4854
www.vantageltg.com

