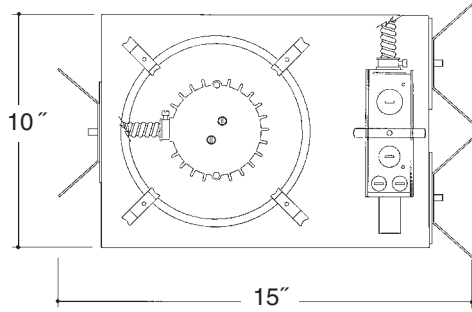


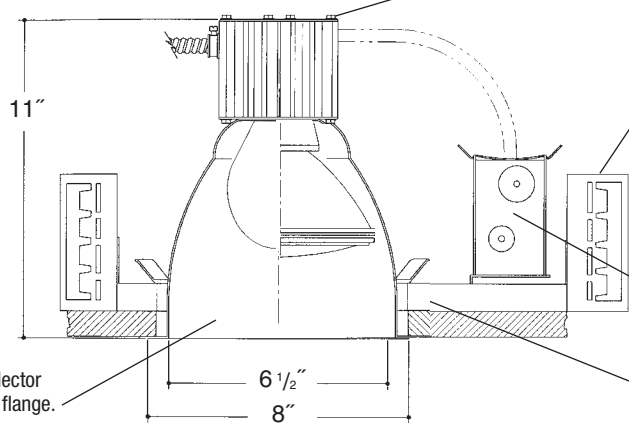
# Architectural Grade

Job Name \_\_\_\_\_

Type \_\_\_\_\_



**7" OPEN  
INCANDESCENT**



Extruded aluminum heat sink socket cup with Zinc plated steel hardware and spring steel clips for fast assembly. *UL Listed* medium base porcelain socket, with nickel plated brass screw shell.

Adjustable height electrogalvanized plated steel mounting ears with cutouts for various mounting methods. Standard bars (included) are innovative and incorporate rigid formed cross sections, joist positioning tabs, integral nails, auxiliary nailholes, T-Bar slots and holes for locking bars to T-Bar using #8 self-tapping screws (by others). Bars extend 14"-24". Ears will also accept Caddy Bar #520 for fast installation in T-Bar ceilings, bars extend 27".

Heavy gauge electrogalvanized steel junction box, prewired and grounded. Listed for through branch circuit wiring. Thermal cutout provided.

Heavy gauge spun aluminum reflector with self trimming white painted flange. Polished Flange available.

Electrogalvanized plated steel frame with spring steel reflector clips for fast assembly of reflector.

## Rough in Kit – 7" Incandescent (150W A23, A21; 120W PAR38; 100W PAR38; 100W PAR30)

Catalog Number **A7INC**

A7INC	Wattage	Voltage	Options
	150W MAX. A23, A21	120	277V SD
	120W PAR38		R
	100W PAR38		PR
	100W PAR30		

Options ▲  
**277V SD** Step Down Transformer 277V to 120V  
**R** Remodeler  
**PR** Plaster Ring

## Finishing Kit – 7" Incandescent Open Reflector

Catalog Number **7000**

7000	Finish	Options
	SCL	PF
	SGO	GSK
	WHT	

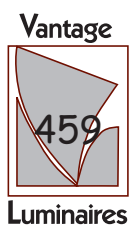
Finish (Factory Standard)  
**SCL** Specular Clear "Alzak" Reflector with White Flange  
**SGO** Specular Gold "Alzak" Reflector with White Flange  
**WHT** White Reflector with White Flange

Options ▲  
**PF** High Polished Flange  
**GSK** Neoprene Foam Single Gasketing

**Features**  
 Manufactured and Listed to UL 1598, ETL and CSA standards.  
*Suitable for Damp Locations*  
*Wet location under covered ceiling*



▲ See Options and Finishes pages for a list of additional finishes and equipment.  
 Vantage reserves the right to change components, finishes or design details in any manner which does not alter the installed appearance or reduce performance and intended function.



76 Community Avenue Plainfield, CT 06374  
 voice (860)564.4512 fax (860)564.4854  
 www.vantageltg.com

05/07

Luminaires