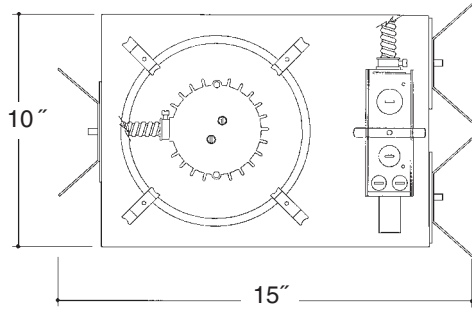


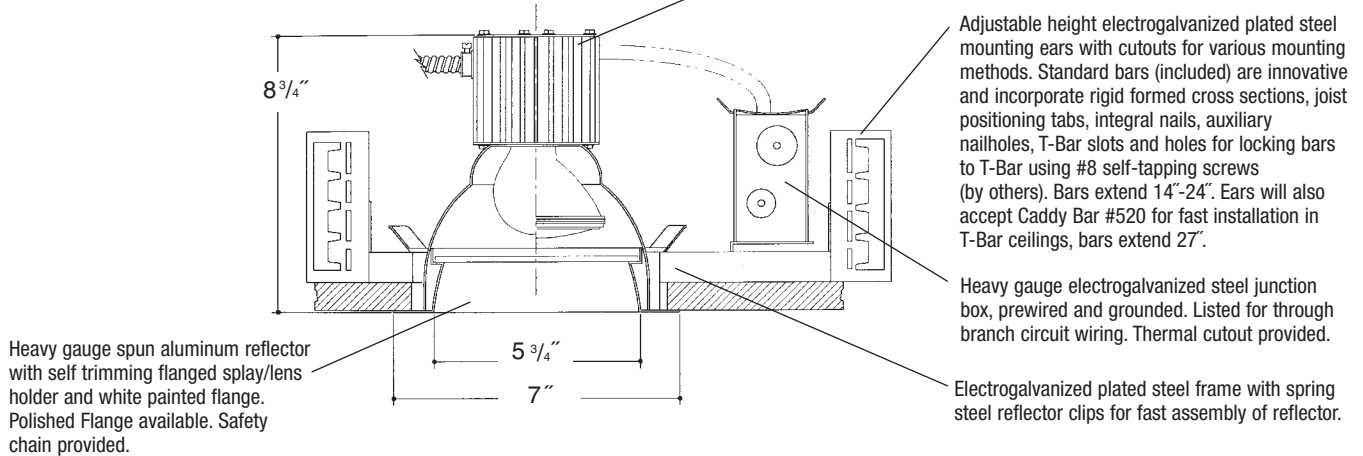
Architectural Grade

Job Name _____

Type _____



6" LENSED INCANDESCENT



Rough in Kit – 6" Incandescent (100W A19; 75W PAR30; 50W PAR20; 75W PAR16)

Catalog Number **A6INC**

A6INC

Wattage

Voltage

Options

100W MAX. A19
75W PAR30❖❖
50W PAR20
75W PAR16

120

277V SD
R
PR

Options ▲

277V SD Step Down Transformer 277V to 120V
R Remodeler
PR Plaster Ring

❖❖ Long Neck Only

Finishing Kit – 6" Incandescent Lensed Reflector – clear reflector standard with White Splay and self trim flange

Catalog Number **60**

60

Lens

Finish

Options

6011 - Tempered Clear Lens
6014 - Tempered Prismatic Lens (C73 Pattern)
6016 - Fresnel Lens
6018 - Flat Alba Lens

SCL
SGO
WHT

PF
DGSK

Finish (Factory Standard)

SCL Specular Clear "Alzak" Splay with White Flange
SGO Specular Gold "Alzak" Splay with White Flange
WHT White Splay with White Flange

Options ▲

PF High Polished Flange
DGSK Neoprene Foam Double Gasketing

Features

Manufactured and Listed to UL 1598, ETL and CSA standards.
Suitable for Damp Locations
Wet location under covered ceiling



▲ See Options and Finishes pages for a list of additional finishes and equipment.

Vantage reserves the right to change components, finishes or design details in any manner which does not alter the installed appearance or reduce performance and intended function.

10/08

76 Community Avenue Plainfield, CT 06374
voice (860)564.4512 fax (860)564.4854
www.vantageltg.com

