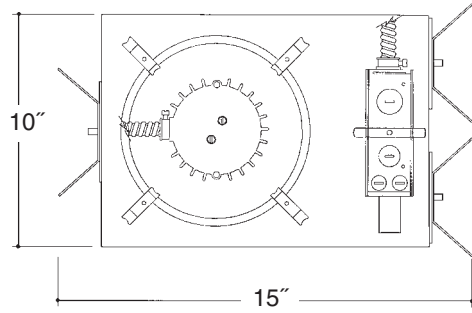


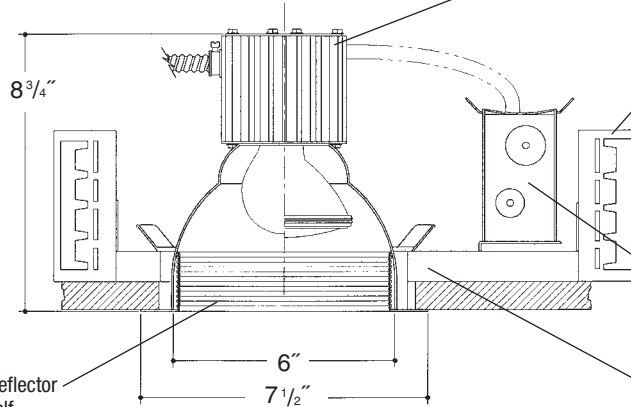
# Architectural Grade

Job Name \_\_\_\_\_

Type \_\_\_\_\_



## 6" OPEN BAFFLED INCANDESCENT



Extruded aluminum heat sink socket cup with Zinc plated steel hardware and spring steel clips for fast assembly. *UL Listed* medium base porcelain socket, with nickel plated brass screw shell.

Adjustable height electrogalvanized plated steel mounting ears with cutouts for various mounting methods. Standard bars (included) are innovative and incorporate rigid formed cross sections, joist positioning tabs, integral nails, auxiliary nailholes, T-Bar slots and holes for locking bars to T-Bar using #8 self-tapping screws (by others). Bars extend 14"-24". Ears will also accept Caddy Bar #520 for fast installation in T-Bar ceilings, bars extend 27".

Heavy gauge electrogalvanized steel junction box, prewired and grounded. Listed for through branch circuit wiring. Thermal cutout provided.

Heavy gauge spun aluminum reflector with multi-groove baffle and self trimming white painted flange. Polished Flange available.

Electrogalvanized plated steel frame with spring steel reflector clips for fast assembly of reflector.

### Rough in Kit – 6" Incandescent (150W A21; 100W PAR38; 100W PAR30; 50W PAR20; 75W PAR16)

Catalog Number **A6INC**

**A6INC**

Wattage

Voltage

Options

150W MAX. A21  
100W PAR38 ❖❖  
100W PAR30 ❖❖  
50W PAR20  
75W PAR16

120

277V SD  
R  
PR

Options ▲

**277V SD** Step Down Transformer 277V to 120V  
**R** Remodeler  
**PR** Plaster Ring

❖❖ Long Neck Only

### Finishing Kit – 6" Incandescent Open Baffled Reflector

Catalog Number **6050**

**6050**

Finish

Options

SCL/BL  
SGO/BL  
SCL/WH  
SGO/WH  
WHT/WH  
WHT/BL

PF  
GSK

Finish (Factory Standard)

**SCL/BL** Specular Clear "Alzak" with White Flange and Black Baffle  
**SGO/BL** Specular Gold "Alzak" with White Flange and Black Baffle  
**SCL/WH** Specular Clear "Alzak" with White Flange and White Baffle  
**SGO/WH** Specular Gold "Alzak" with White Flange and White Baffle  
**WHT/WH** White Reflector with White Flange with White Baffle  
**WHT/BL** White Reflector with White Flange with Black Baffle

Options ▲

**PF** High Polished Flange  
**GSK** Neoprene Foam Single Gasketing

### Features

Manufactured and Listed to UL 1598, ETL and CSA standards.  
Suitable for Damp Locations  
Wet location under covered ceiling



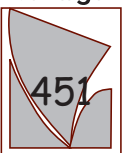
▲ See Options and Finishes pages for a list of additional finishes and equipment.

Vantage reserves the right to change components, finishes or design details in any manner which does not alter the installed appearance or reduce performance and intended function.

10/08

76 Community Avenue Plainfield, CT 06374  
voice (860) 564.4512 fax (860) 564.4854  
www.vantageltg.com

Vantage



Luminaires