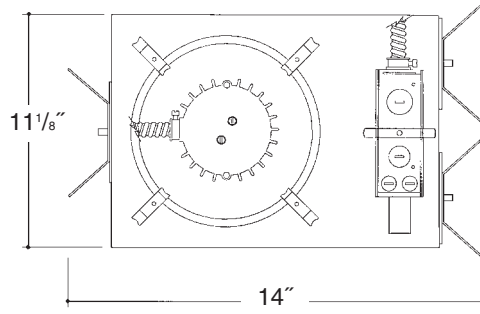
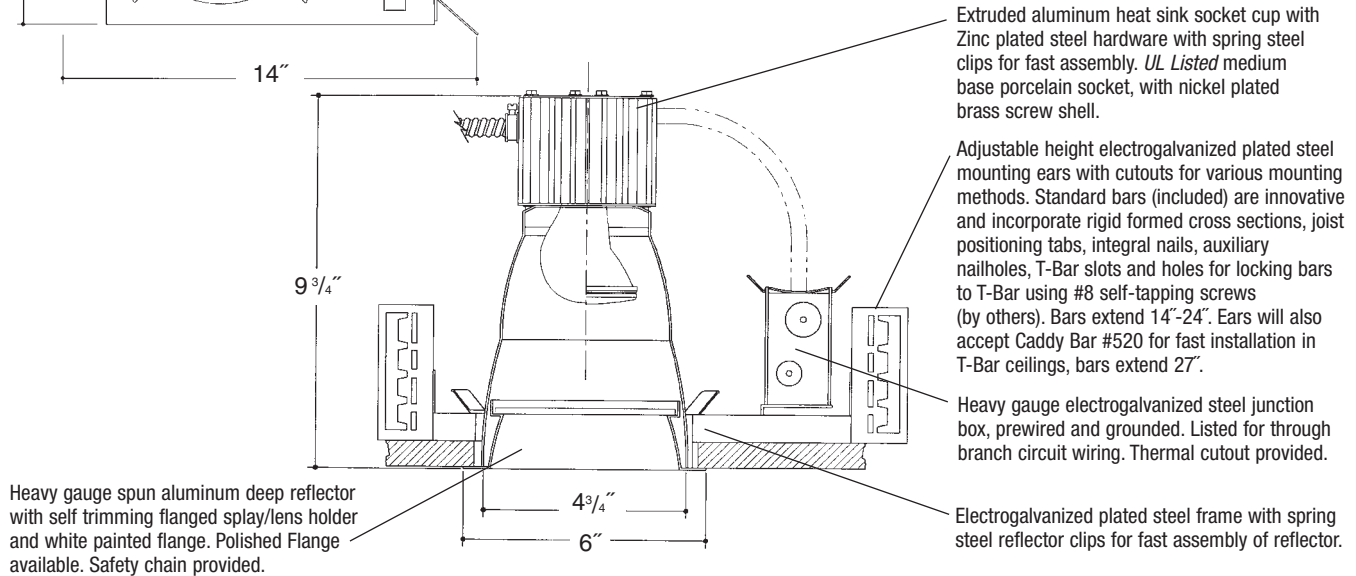


Job Name _____

Type _____



5" DEEP LENSED INCANDESCENT



Rough in Kit – 5" Incandescent (100W A19; 75W PAR30; 50W PAR20; 75W PAR16)

Catalog Number **A5INC**

A5INC	Wattage	Voltage	Options	Options ▲
	100W MAX. A19 75W PAR30❖❖ 50W PAR20 75W PAR16	120	277V SD R PR	277V SD Step Down Transformer 277V to 120V R Remodeler PR Plaster Ring

❖❖ Long Neck Only

Finishing Kit – 5" Incandescent Deep Lensed Reflector – clear reflector standard with White Splay and self trim flange

Catalog Number **55**

55	Lens	Finish	Options	Finish (Factory Standard)
	5511 - Tempered Clear Lens 5514 - Tempered Prismatic Lens (C73 Pattern) 5516 - Fresnel Lens	SCL SGO WHT	PF DGSK	SCL Specular Clear "Alzak" Splay with White Flange SGO Specular Gold "Alzak" Splay with White Flange WHT White Splay with White Flange
			Options ▲	Options ▲
			PF High Polished Flange DGSK Neoprene Foam Double Gasketing	

Features

Manufactured and Listed to UL 1598, ETL and CSA standards.
Suitable for Damp Locations
Wet location under covered ceiling



▲ See Options and Finishes pages for a list of additional finishes and equipment.
Vantage reserves the right to change components, finishes or design details in any manner which does not alter the installed appearance or reduce performance and intended function.

