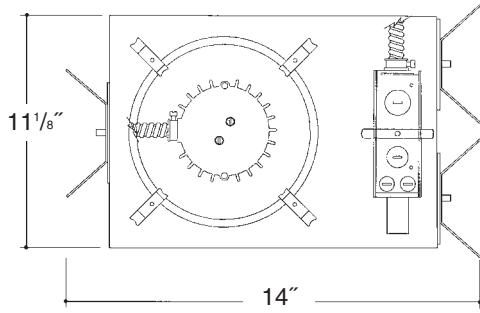


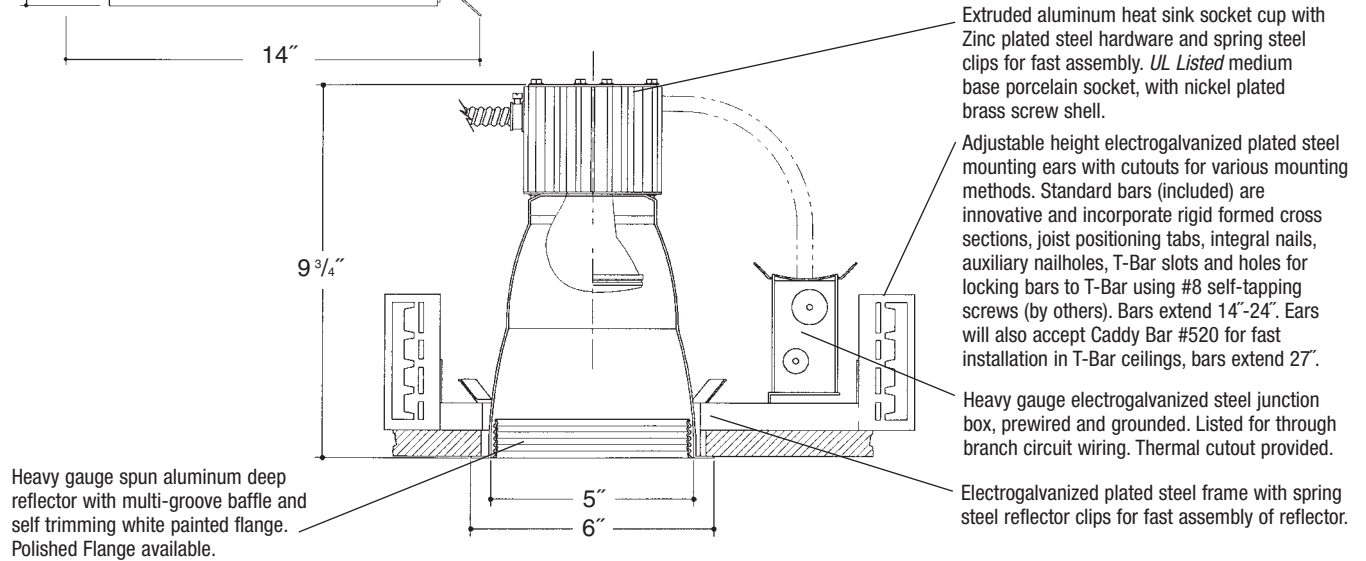
Architectural Grade

Job Name _____

Type _____



5" DEEP OPEN BAFFLED INCANDESCENT



Rough in Kit – 5" Incandescent (150W A21; 75W PAR30; 50W PAR20; 75W PAR16)

Catalog Number **A5INC**

A5INC

Wattage

150W MAX. A19
75W PAR30 ❖❖
50W PAR20
75W PAR16

Voltage

120

Options

277V SD
R
PR

Options ▲

277V SD Step Down Transformer 277V to 120V
R Remodeler
PR Plaster Ring

❖❖ Long Neck Only

Finishing Kit – 5" Incandescent Deep Open Baffled Reflector

Catalog Number **5550**

5550

Finish

SCL/BL
SGO/BL
SCL/WH
SGO/WH
WHT/WH
WHT/BL

Options

PF
GSK

Finish (Factory Standard)

SCL/BL Specular Clear "Alzak" with White Flange and Black Baffle
SGO/BL Specular Gold "Alzak" with White Flange and Black Baffle
SCL/WH Specular Clear "Alzak" with White Flange and White Baffle
SGO/WH Specular Gold "Alzak" with White Flange and White Baffle
WHT/WH White Reflector with White Flange and White Baffle
WHT/BL White Reflector with White Flange and Black Baffle

Options ▲

PF High Polished Flange
GSK Neoprene Foam Single Gasketing

Features

Manufactured and Listed to UL 1598, ETL and CSA standards.
Suitable for Damp Locations
Wet location under covered ceiling



▲ See Options and Finishes pages for a list of additional finishes and equipment.

Vantage reserves the right to change components, finishes or design details in any manner which does not alter the installed appearance or reduce performance and intended function.

05/07

76 Community Avenue Plainfield, CT 06374
voice (860) 564.4512 fax (860) 564.4854
www.vantageltg.com



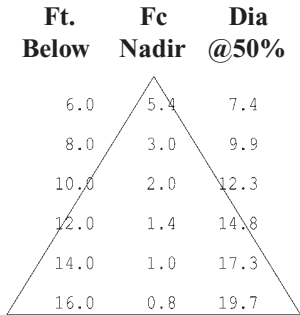
Photometric Information

Product Number: A5INC/5550SCL/BL
Frame In Kit: 5" Vertical Mount Incandescent
Reflector: 5" Vertical Tall Clear "Alzak" with Black Baffle
LTL Test Number: 06651 (A19)
Lamp(s) Source: 100W A19 Rated at 1710 lumens
Total Luminaire Efficiency: 21.8%
CIE Type: Direct
Luminaire Spacing Criterion: 1.2
Luminous Diameter: 4.875

Zonal Lumen Summary

ZONE	LUMENS	%LAMP	%FIXTURE
0- 30	154	9.0	41.5
0- 40	254	14.9	68.3
0- 60	372	21.8	100.0
0- 90	372	21.8	100.0
90-180	0	0.0	0.0
0-180	372	21.8	100.0

Cone of Light



Coefficients of Utilization

RC	80				70				50				30				10				0
RW	70	50	30	10	70	50	30	10	50	30	10	50	30	10	50	30	10	50	30	10	0
0	26	26	26	26	25	25	25	25	24	24	24	23	23	23	22	22	22	22	22	22	0
1	25	24	23	23	24	24	23	23	23	22	22	22	21	21	21	21	21	21	21	21	20
2	23	22	21	21	23	22	21	20	21	20	20	20	20	19	20	19	19	19	19	19	19
3	22	20	19	18	22	20	19	18	20	19	18	19	18	18	19	18	17	17	17	17	17
4	21	19	18	17	20	19	17	17	18	17	16	18	17	16	17	17	16	16	16	16	16
5	19	17	16	15	19	17	16	15	17	16	15	16	15	15	16	15	15	15	15	15	14
6	18	16	15	14	18	16	14	13	15	14	13	15	14	13	15	14	13	13	13	13	13
7	17	15	13	12	17	14	13	12	14	13	12	14	13	12	14	13	12	12	12	12	11
8	16	13	12	11	15	13	12	11	13	12	11	13	11	11	12	11	11	11	11	11	10
9	15	12	11	10	14	12	10	9	12	10	9	12	10	9	11	10	9	9	9	9	9
10	13	11	9	8	13	11	9	8	11	9	8	10	9	8	10	9	8	8	8	8	8

