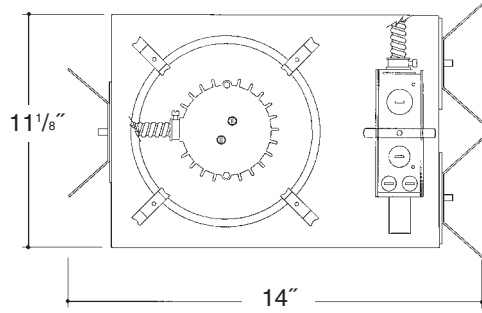


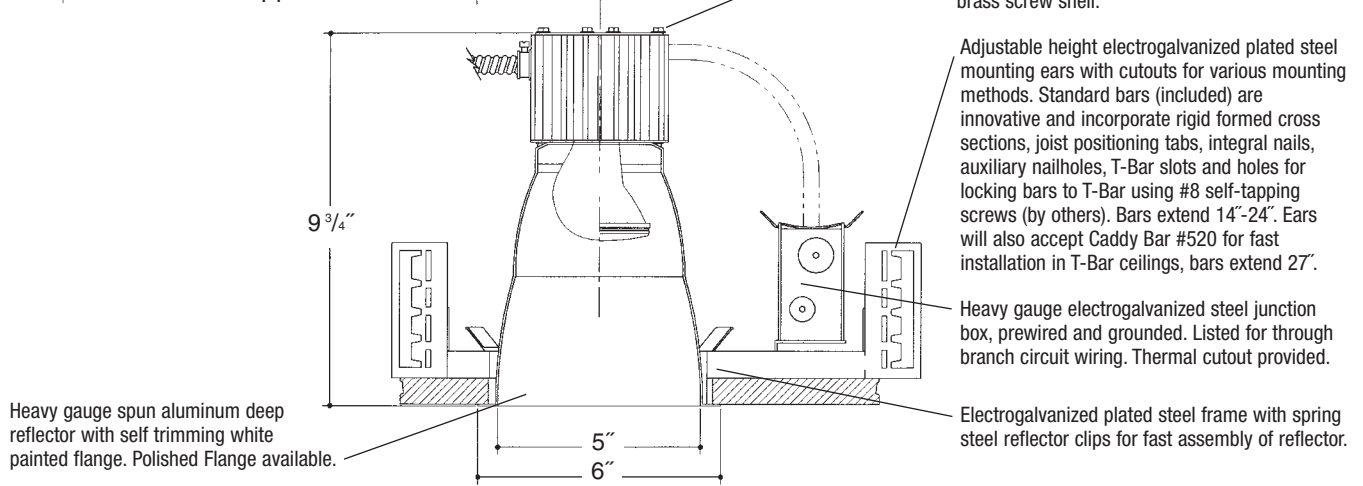
Architectural Grade

Job Name _____

Type _____



5" DEEP OPEN INCANDESCENT



Rough in Kit – 5" Incandescent (150W A21; 75W PAR30; 50W PAR20; 75W PAR16)

Catalog Number **A5INC**

A5INC

Wattage

150W MAX.A21
75W PAR30❖❖
50W PAR20
75W PAR16

Voltage

120

Options

277V SD
R
PR

Options ▲

277V SD Step Down Transformer 277V to 120V
R Remodeler
PR Plaster Ring

❖❖ Long Neck Only

Finishing Kit – 5" Incandescent Deep Open Reflector

Catalog Number **5500**

5500

Finish

SCL
SGO
WHT

Options

PF
GSK

Finish (Factory Standard)

SCL Specular Clear "Alzak" Reflector with White Flange
SGO Specular Gold "Alzak" Reflector with White Flange
WHT White Reflector with White Flange

Options ▲

PF High Polished Flange
GSK Neoprene Foam Single Gasketing

Features

Manufactured and Listed to UL 1598, ETL and CSA standards.
Suitable for Damp Locations
Wet location under covered ceiling



▲ See Options and Finishes pages for a list of additional finishes and equipment.

Vantage reserves the right to change components, finishes or design details in any manner which does not alter the installed appearance or reduce performance and intended function.

Vantage



Luminaires

76 Community Avenue Plainfield, CT 06374
voice (860)564.4512 fax (860)564.4854
www.vantageltg.com

07/07

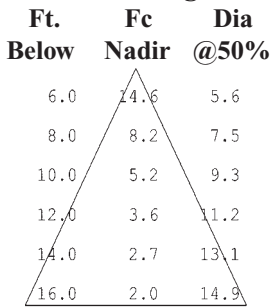
Photometric Information

Product Number: A5INC100A19/5500SCL
Frame In Kit: 5" Vertical Mount Incandescent
Reflector: 5" Vertical Mount Clear "Alzak" Deep Open Reflector
LTL Test Number: 06008
Lamp(s) Source: (1) 100W A19 incandescent rated at 1710 lumens
Total Luminaire Efficiency: 53.7%
CIE Type: Direct
Luminaire Spacing Criterion: 0.9
Luminous Diameter: 5.00

Zonal Lumen Summary

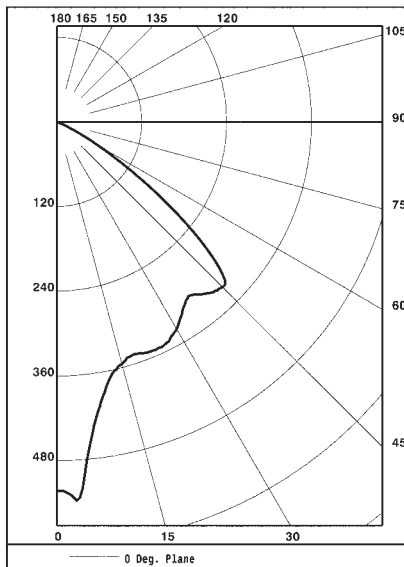
ZONE	LUMENS	%LAMP	%FIXTURE
0- 30	305	17.8	33.2
0- 40	505	29.5	55.0
0- 60	898	52.5	97.8
0- 90	918	53.7	100.0
90-180	0	0.0	0.0
0-180	918	53.7	100.0

Cone of Light



Coefficients of Utilization

RC	80				70				50				30				10				0
RW	70	50	30	10	70	50	30	10	50	30	10	50	30	10	50	30	10	50	30	10	0
0	64	64	64	64	62	62	62	62	60	60	60	57	57	57	55	55	55	54			
1	60	58	57	55	59	57	56	54	55	54	53	53	52	51	51	50	50	49			
2	57	53	51	49	55	52	50	48	51	49	47	49	47	46	47	46	45	44			
3	53	48	45	43	52	48	45	42	46	44	42	45	43	41	44	42	40	39			
4	49	44	40	38	48	43	40	37	42	39	37	41	39	36	40	38	36	35			
5	46	40	36	33	45	39	36	33	38	35	33	37	35	32	36	34	32	31			
6	42	36	32	29	41	36	32	29	35	31	29	34	31	29	33	30	28	27			
7	39	32	28	25	38	32	28	25	31	28	25	30	27	25	30	27	25	24			
8	36	29	25	22	35	29	25	22	28	24	22	27	24	22	27	24	22	21			
9	33	26	22	19	32	26	22	19	25	22	19	25	21	19	24	21	19	18			
10	30	24	20	17	30	23	20	17	23	19	17	22	19	17	22	19	17	16			

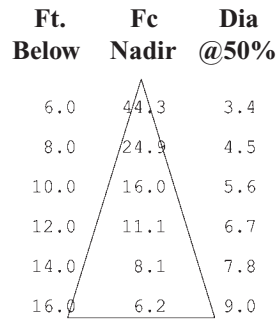


Product Number: A5INC/5500SCL
Frame In Kit: 5" Vertical Mount Incandescent
Reflector: 5" Vertical Tall Clear "Alzak" Reflector
LTL Test Number: 06020 (PAR30)
Lamp(s) Source: 50W PAR30 LN/CAP/NFL/30-120V
Total Luminaire Efficiency: 93.8%
CIE Type: Direct
Luminaire Spacing Criterion: 0.5
Luminous Diameter: 5.000

Zonal Lumen Summary

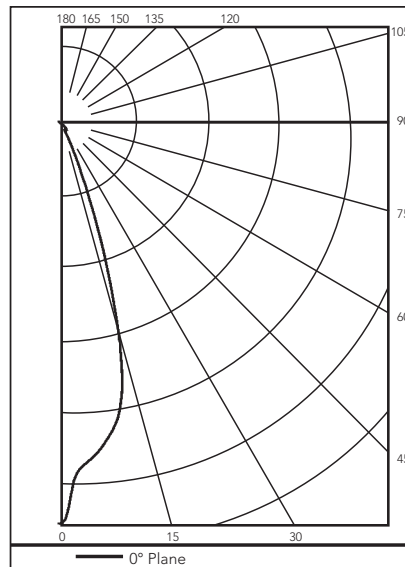
ZONE	LUMENS	%LAMP	%FIXTURE
0- 30	474	79.1	84.2
0- 40	507	84.4	90.0
0- 60	563	93.8	99.9
0- 90	563	93.8	100.0
90-180	0	0.0	0.0
0-180	563	93.8	100.0

Cone of Light



Coefficients of Utilization

RC	80				70				50				30				10				0
RW	70	50	30	10	70	50	30	10	50	30	10	50	30	10	50	30	10	50	30	10	0
0	112	112	112	112	109	109	109	109	104	104	104	100	100	100	96	96	96	94			
1	108	106	104	102	106	104	102	101	100	99	98	97	96	95	94	93	92	91			
2	104	101	98	96	102	99	97	95	97	94	93	94	92	91	91	90	89	88			
3	101	97	94	91	100	96	93	90	93	91	89	91	89	87	89	88	86	85			
4	98	93	89	87	97	92	89	86	90	87	85	88	86	84	87	85	83	82			
5	95	89	85	83	94	89	85	82	87	84	82	86	83	81	84	82	80	79			
6	92	86	82	80	91	86	82	79	84	81	79	83	80	78	82	80	78	77			
7	89	83	79	76	88	83	79	76	81	78	76	81	78	75	80	77	75	74			
8	87	80	76	74	86	80	76	73	79	76	73	78	75	73	77	75	73	72			
9	84	78	74	71	83	77	74	71	77	73	71	76	73	71	75	73	70	70			
10	82	75	72	69	81	75	71	69	74	71	69	74	71	69	73	70	68	68			



Photometric Information

Product Number: A5INC/5500SCL
Frame In Kit: 5" Vertical Mount Incandescent
Reflector: 5" Vertical Tall Clear "Alzak" Reflector
LTL Test Number: 06036 (PAR30)
Lamp(s) Source: 50W PAR30 LN/CAP/NSP/9-120V
Total Luminaire Efficiency: 90.2%
CIE Type: Direct
Luminaire Spacing Criterion: 0.2
Luminous Diameter: 5.000

Zonal Lumen Summary

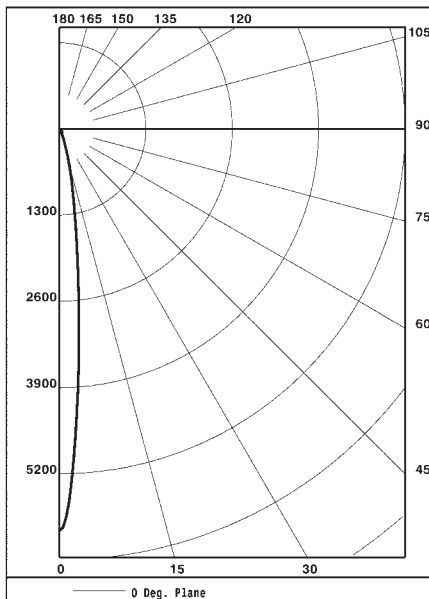
ZONE	LUMENS	%LAMP	%FIXTURE
0- 30	474	79.0	87.6
0- 40	489	81.4	90.3
0- 60	541	90.2	100.0
0- 90	541	90.2	100.0
90-180	0	0.0	0.0
0-180	541	90.2	100.0

Cone of Light

Ft. Below	Fc Nadir	Dia @50%
6.0	168.4	1.2
8.0	94.7	1.6
10.0	60.6	1.9
12.0	42.1	2.3
14.0	30.9	2.7
16.0	23.7	3.1

Coefficients of Utilization

RC	80			70			50			30			10			0		
RW	70	50	30	10	70	50	30	10	50	30	10	50	30	10	50	30	10	0
0	107	107	107	107	105	105	105	105	100	100	100	96	96	96	92	92	92	90
1	104	102	101	99	102	100	99	98	97	96	95	94	93	92	91	90	89	88
2	101	98	96	94	99	97	95	93	94	92	91	92	90	89	89	88	87	86
3	99	95	92	90	97	94	91	89	92	90	88	90	88	86	88	86	85	84
4	96	92	89	86	95	91	88	86	89	87	85	88	86	84	86	85	83	82
5	94	89	86	84	93	88	85	83	87	85	83	86	84	82	85	83	81	80
6	92	87	84	81	91	86	83	81	85	83	81	84	82	80	83	81	80	79
7	90	85	81	79	89	84	81	79	83	80	78	82	80	78	81	79	78	77
8	88	82	79	77	87	82	79	77	81	79	77	80	78	76	80	78	76	75
9	86	81	77	75	85	80	77	75	80	77	75	79	77	75	78	76	75	74
10	84	79	76	74	83	79	76	74	78	75	74	78	75	73	77	75	73	73



Product Number: A5INC/5500SCL
Frame In Kit: 5" Vertical Mount Incandescent
Reflector: 5" Vertical Tall Clear "Alzak" Reflector
LTL Test Number: 06650 (A19)
Lamp(s) Source: 100W A19 Rated at 1710 lumens
Total Luminaire Efficiency: 51.0%
CIE Type: Direct
Luminaire Spacing Criterion: 0.4
Luminous Diameter: 5.000

Zonal Lumen Summary

ZONE	LUMENS	%LAMP	%FIXTURE
0- 30	297	17.4	34.0
0- 40	490	28.6	56.1
0- 60	856	50.0	98.0
0- 90	873	51.0	100.0
90-180	0	0.0	0.0
0-180	873	51.0	100.0

Cone of Light

Ft. Below	Fc Nadir	Dia @50%
6.0	18.2	2.6
8.0	10.8	3.4
10.0	6.6	4.3
12.0	4.6	5.1
14.0	3.3	6.0
16.0	2.6	6.8

Coefficients of Utilization

RC	80			70			50			30			10			0		
RW	70	50	30	10	70	50	30	10	50	30	10	50	30	10	50	30	10	0
0	61	61	61	61	59	59	59	59	57	57	57	54	54	54	52	52	52	51
1	57	56	54	53	56	54	53	52	52	51	50	50	50	49	49	48	47	46
2	54	51	48	46	53	50	48	46	48	46	45	47	45	44	45	44	43	42
3	50	46	43	41	49	46	43	40	44	42	40	43	41	39	42	40	39	38
4	47	42	39	36	46	42	38	36	40	38	35	39	37	35	38	36	35	34
5	44	38	35	32	43	38	34	32	37	34	31	36	33	31	35	33	31	30
6	40	35	31	28	39	34	31	28	33	30	28	33	30	28	32	29	27	26
7	37	31	27	24	36	31	27	24	30	27	24	29	26	24	29	26	24	23
8	34	28	24	21	34	28	24	21	27	24	21	26	23	21	26	23	21	20
9	32	25	21	19	31	25	21	19	24	21	19	24	21	19	23	21	18	18
10	29	23	19	16	29	23	19	16	22	19	16	22	18	16	21	18	16	15

