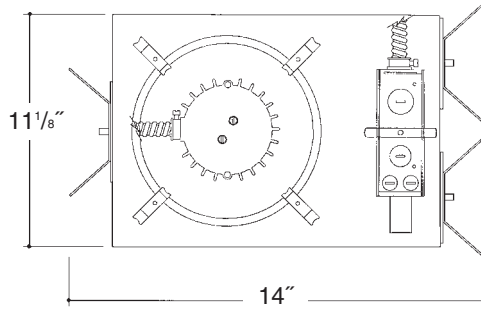


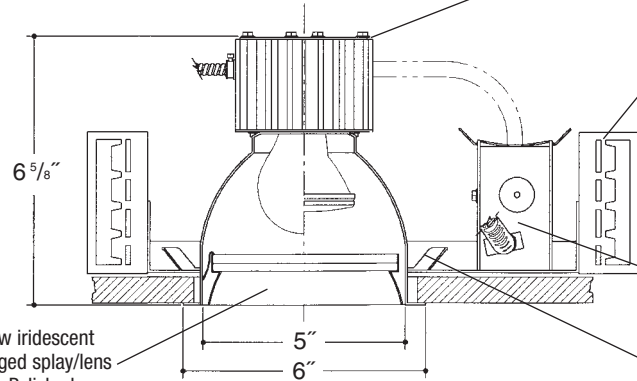
Architectural Grade

Job Name _____

Type _____



5" SHALLOW LENSED INCANDESCENT



Extruded aluminum heat sink socket cup with Zinc plated steel hardware and spring steel clips for fast assembly. *UL Listed* medium base porcelain socket, with nickel plated brass screw shell.

Adjustable height electrogalvanized plated steel mounting ears with cutouts for various mounting methods. Standard bars (included) are innovative and incorporate rigid formed cross sections, joint positioning tabs, integral nails, auxiliary nailholes, T-Bar slots and holes for locking bars to T-Bar using #8 self-tapping screws (by others). Bars extend 14"-24". Ears will also accept Caddy Bar #520 for fast installation in T-Bar ceilings, bars extend 27".

Heavy gauge spun aluminum low iridescent reflector with self trimming flanged splay/lens holder and white painted flange. Polished Flange available. Safety chain provided.

Heavy gauge electrogalvanized steel junction box, prewired and grounded. Listed for through branch circuit wiring. Thermal cutout provided.

Electrogalvanized plated steel frame with spring steel reflector clips for fast assembly of reflector.

Rough in Kit – 5" Incandescent (100W A19; 75W PAR30; 50W PAR20; 75W PAR16)

Catalog Number **A5INC**

A5INC

Wattage

100W MAX. A19
75W PAR 30❖❖
50W PAR20
75W PAR16

Voltage

120

Options

277V SD
R
PR

Options ▲

277V SD
R
PR

Step Down Transformer 277V to 120V
Remodeler
Plaster Ring

❖❖ Long Neck Only

Finishing Kit – 5" Incandescent Lensed Reflector – clear reflector standard with self trim flange

Catalog Number **53**

53

Lens

5311 - Tempered Clear Lens
5314 - Tempered Prismatic Lens
(C73 Pattern)
5316 - Fresnel Lens

Finish

SCL
SGO
WHT

Options

PF
DGSK

Finish (Factory Standard)

SCL
SGO
WHT

Specular Clear "Alzak" Splay with White Flange
Specular Gold "Alzak" Splay with White Flange
White Splay with White Flange

Options ▲

PF
DGSK

High Polished Flange
Neoprene Foam Double Gasketing

Features

Manufactured and Listed to UL 1598, ETL and CSA standards.
Suitable for Damp Locations
Wet location under covered ceiling



▲ See Options and Finishes pages for a list of additional finishes and equipment.

Vantage reserves the right to change components, finishes or design details in any manner which does not alter the installed appearance or reduce performance and intended function.

Vantage



01/10

76 Community Avenue Plainfield, CT 06374

voice (860)564.4512 fax (860)564.4854

www.vantageltg.com

Luminaires