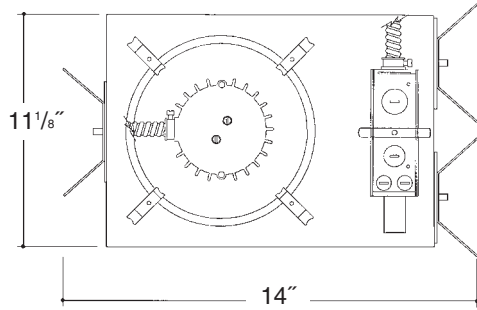


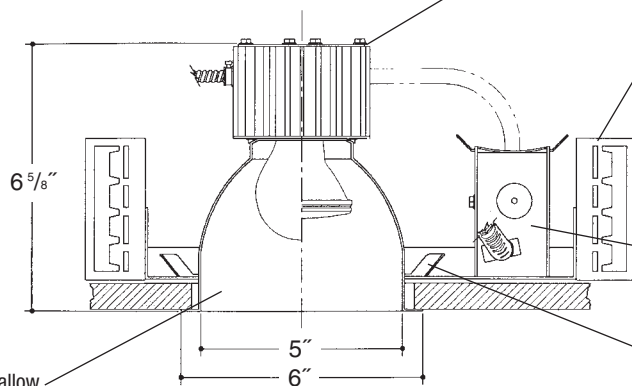
Architectural Grade

Job Name _____

Type _____



5" SHALLOW OPEN INCANDESCENT



Heavy gauge spun aluminum shallow reflector with self trimming white painted flange. Polished Flange available.

Extruded aluminum heat sink socket cup with Zinc plated steel hardware and spring clips for fast assembly. *UL Listed* medium base porcelain socket, with nickel plated brass screw shell.

Adjustable height electrogalvanized plated steel mounting ears with cutouts for various mounting methods. Standard bars (included) are innovative and incorporate rigid formed cross sections, joist positioning tabs, integral nails, auxiliary nailholes, T-Bar slots and holes for locking bars to T-Bar using #8 self-tapping screws (by others). Bars extend 14"-24". Ears will also accept Caddy Bar #520 for fast installation in T-Bar ceilings, bars extend 27".

Heavy gauge electrogalvanized steel junction box, prewired and grounded. Listed for through branch circuit wiring. Thermal cutout provided.

Electrogalvanized plated steel frame with spring steel reflector clips for fast assembly of reflector.

Rough in Kit – 5" Incandescent (100W A19; 75W PAR30; 50W PAR20; 75W PAR16)

Catalog Number **A5INC**

A5INC

Wattage

100W MAX.A19
75W PAR30❖❖
50W PAR20
75W PAR16

Voltage

120

Options

277V SD
R
PR

Options ▲

277V SD
R
PR

Step Down Transformer 277V to 120V
Remodeler
Plaster Ring

❖❖ Long Neck Only

Finishing Kit – 5" Incandescent Shallow Open Reflector

Catalog Number **5300**

5300

Finish

SCL
SGO
WHT

Options

PF
GSK

Finish (Factory Standard)

SCL Specular Clear "Alzak" Reflector with White Flange
SGO Specular Gold "Alzak" Reflector with White Flange
WHT White Reflector with White Flange

Options ▲

PF High Polished Flange
GSK Neoprene Foam Single Gasketing

Features

Manufactured and Listed to UL 1598, ETL and CSA standards.
Suitable for Damp Locations
Wet location under covered ceiling



▲ See Options and Finishes pages for a list of additional finishes and equipment.

Vantage reserves the right to change components, finishes or design details in any manner which does not alter the installed appearance or reduce performance and intended function.

05/07

76 Community Avenue Plainfield, CT 06374
voice (860)564.4512 fax (860)564.4854
www.vantageltg.com



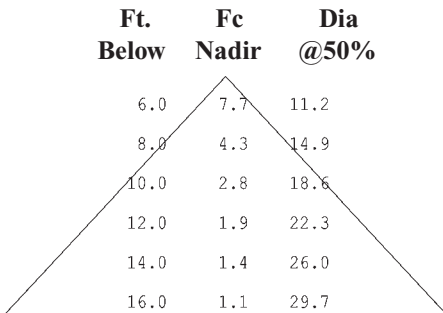
Photometric Information

Product Number: A5INC/5300SCL
Frame In Kit: 5" Vertical Mount Incandescent
Reflector: 5" Vertical Shallow Clear "Alzak" Reflector
LTL Test Number: 6652 (A19)
Lamp(s) Source: 100W A19 Rated at 1710 lumens
Total Luminaire Efficiency: 69.2%
CIE Type: Direct
Luminaire Spacing Criterion: 1.2
Luminous Diameter: 5.000

Zonal Lumen Summary

ZONE	LUMENS	%LAMP	%FIXTURE
0- 30	307	17.9	28.8
0- 40	572	33.5	53.7
0- 60	991	57.9	93.0
0- 90	1065	62.3	100.0
90-180	0	0.0	0.0
0-180	1065	62.3	100.0

Cone of Light



Coefficients of Utilization

RC	80				70				50				30				10				0	
RW	70	50	30	10	70	50	30	10	50	30	10	50	30	10	50	30	10	50	30	10	0	
0	74	74	74	74	72	72	72	72	69	69	69	66	66	66	63	63	63	62				
1	69	67	65	63	68	66	64	62	63	62	60	61	60	59	59	58	57	56				
2	65	61	58	55	63	60	57	54	58	55	53	56	54	52	54	52	51	50				
3	60	55	51	47	59	54	50	47	52	49	46	50	48	45	49	47	45	44				
4	56	49	45	41	54	49	44	41	47	43	41	46	43	40	45	42	40	38				
5	51	44	40	36	50	44	39	36	42	38	35	41	38	35	40	37	35	34				
6	47	40	35	31	46	39	34	31	38	34	31	37	33	31	36	33	30	29				
7	43	35	30	27	42	35	30	27	34	30	26	33	29	26	32	29	26	25				
8	40	32	27	23	39	31	26	23	30	26	23	30	26	23	29	25	23	22				
9	36	28	23	20	36	28	23	20	27	23	20	27	23	20	26	22	20	19				
10	34	25	21	17	33	25	20	17	25	20	17	24	20	17	23	20	17	16				

