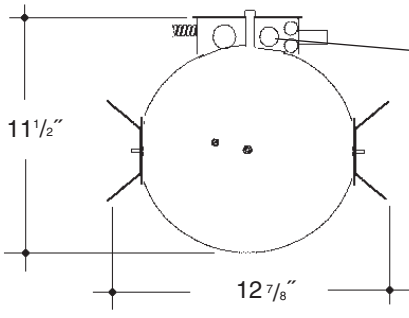


Architectural Grade

Job Name _____

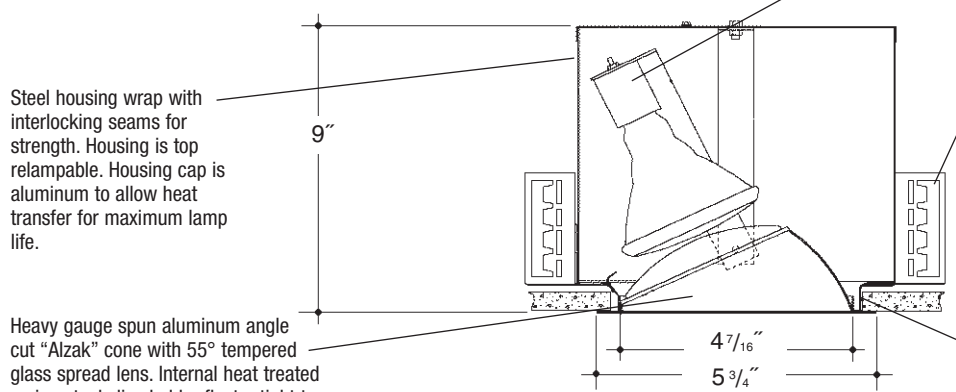
Type _____



Heavy gauge electrogalvanized steel junction box, prewired and grounded with easy access from below. Listed for through branch circuit wiring. *UL Listed* thermal cutout provided.

4" SPREAD LENS WALL WASH

Specification grade glazed porcelain socket with nickel plated brass screw shell. *UL Listed*. Adjustable yolk for 358° rotation and 35° elevation.



Steel housing wrap with interlocking seams for strength. Housing is top relampable. Housing cap is aluminum to allow heat transfer for maximum lamp life.

Adjustable height electrogalvanized plated steel mounting ears with cutouts for various mounting methods. Standard bars (included) are innovative and incorporate rigid formed cross sections, joist positioning tabs, integral nails, auxiliary nailholes, T-Bar slots and holes for locking bars to T-Bar using #8 self-tapping screws (by others). Bars extend 14"-24". Ears will also accept Caddy Bar #520 for fast installation in T-Bar ceilings, bars extend 27".

Heavy gauge spun aluminum angle cut "Alzak" cone with 55° tempered glass spread lens. Internal heat treated spring steel clips hold reflector tight to ceiling. White painted flange. Polished Flange available.

Integral plaster ring.

Rough in Kit – 4" Incandescent Adjustable Wall Wash (75W PAR30; 50W PAR20; 50W R20; 75W PAR16)

Catalog Number **PA4INC-ADJ-WW**

PA4INC-ADJ-WW

Wattage

Voltage

Options

Options ▲
277V SD

Step Down Transformer 277V to 120V

50W MAX. PAR20
50W R20
75W PAR16

120

277V SD

***Note -- Must Specify Lamping**

Finishing Kit – 4" Incandescent Angle Cut "Alzak" Cone 55° Spread Lens Wall Washer

Catalog Number **4037**

4037

Finish

Options

SCL
SGO
WHT

PF
GSK

Finish (Factory Standard)

SCL Specular Clear "Alzak" with White Flange
SGO Specular Gold "Alzak" with White Flange
WHT White Reflector with White Flange

Options ▲

PF High Polished Flange
GSK Neoprene Foam Single Gasketing

Features

Manufactured and Listed to UL 1598, ETL and CSA standards.
Suitable for Damp Locations
Wet location under covered ceiling



▲ See Options and Finishes pages for a list of additional finishes and equipment.

Vantage reserves the right to change components, finishes or design details in any manner which does not alter the installed appearance or reduce performance and intended function.

05/07

76 Community Avenue Plainfield, CT 06374
voice (860) 564.4512 fax (860) 564.4854
www.vantageltg.com

