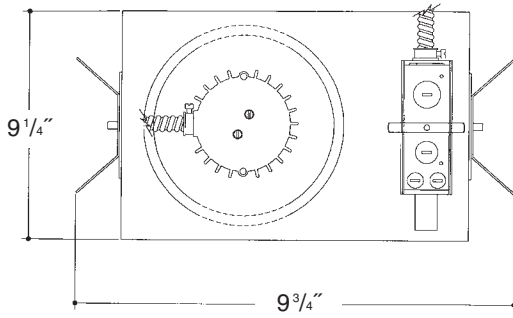


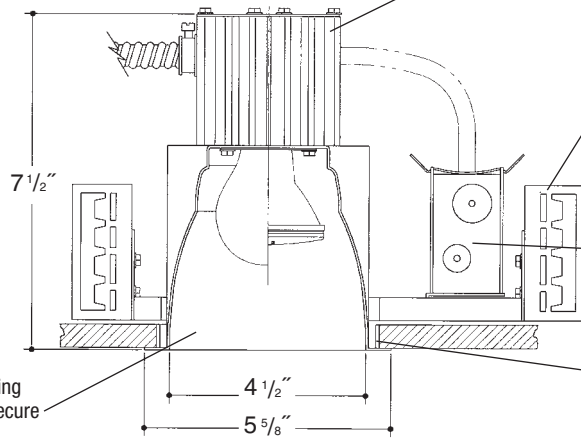
Architectural Grade

Job Name _____

Type _____



**4" OPEN
INCANDESCENT**



Extruded aluminum heat sink socket cup with Zinc plated steel hardware and spring steel clips for fast assembly. *UL Listed* medium base porcelain socket, with nickel plated brass screw shell.

Adjustable height electrogalvanized plated steel mounting ears with cutouts for various mounting methods. Standard bars (included) are innovative and incorporate rigid formed cross sections, joist positioning tabs, integral nails, auxiliary nailholes, T-Bar slots and holes for locking bars to T-Bar using #8 self-tapping screws (by others). Bars extend 14"-24". Ears will also accept Caddy Bar #520 for fast installation in T-Bar ceilings, bars extend 27".

Heavy gauge electrogalvanized steel junction box, prewired and grounded. Listed for through branch circuit wiring. Thermal cutout provided.

Aluminum frame with Integral Plaster Ring.

Heavy gauge spun aluminum low iridescent reflector with self trimming white painted flange. Keyslots to secure reflector. Polished Flange available.

Rough in Kit – 4" Incandescent (100W A19; 50W PAR20; 50W R20; 75W PAR16)

Catalog Number **A4INC**

A4INC

Wattage

100W MAX. A19
50W PAR20
50W R20
75W PAR16

Voltage

120

Options

277V SD

Options ▲

277V SD

Step Down Transformer 277V to 120V

PAR Lamp – Replace A4INC with PA4INC

(6" Height)

Finishing Kit – 4" Incandescent Open Reflector

Catalog Number **4000**

4000

Finish

SCL
SGO
WHT

Options

PF
GSK

Finish (Factory Standard)

SCL

Specular Clear "Alzak" Reflector with White Flange

SGO

Specular Gold "Alzak" Reflector with White Flange

WHT

White Reflector with White Flange

Options ▲

PF

High Polished Flange

GSK

Neoprene Foam Single Gasketing

Features

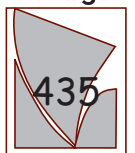
Manufactured and Listed to UL 1598, ETL and CSA standards.
Suitable for Damp Locations
Wet location under covered ceiling



▲ See Options and Finishes pages for a list of additional finishes and equipment.

Vantage reserves the right to change components, finishes or design details in any manner which does not alter the installed appearance or reduce performance and intended function.

Vantage



05/07

76 Community Avenue Plainfield, CT 06374

voice (860)564.4512 fax (860)564.4854

www.vantageltg.com

Luminaires

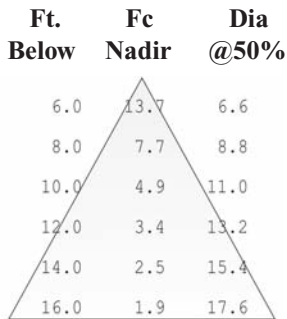
Photometric Information

Product Number: A4INC/4000SG
Frame In Kit: 4" Vertical Mount Incandescent
Reflector: 4" Vertical Soft Glow Reflector
LTL Test Number: 10473 (A19)
Lamp(s) Source: 100W A19 Rated at 1710 lumens
Total Luminaire Efficiency: 41.5%
CIE Type: Direct
Luminaire Spacing Criterion: 1.2
Luminous Diameter: 4.500

Zonal Lumen Summary

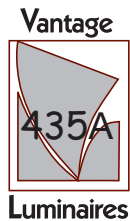
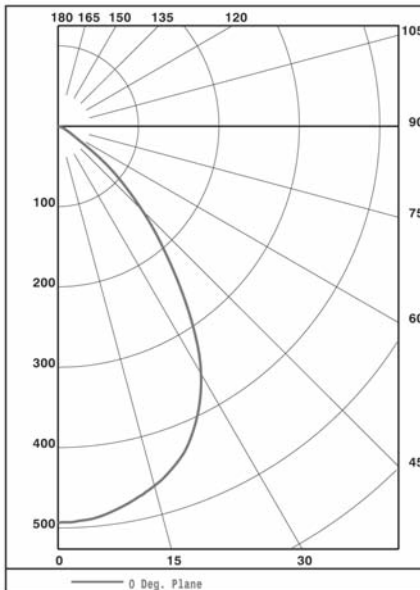
ZONE	LUMENS	%LAMP	%FIXTURE
0-30	362	21.19	51.09
0-40	539	31.51	75.98
0-60	694	40.60	97.88
0-90	709	41.47	100.00
90-180	0	0.00	0.00
0-180	709	41.47	100.00

Cone of Light



Coefficients of Utilization

RC	80				70				50				30				10				0	
	RW	70	50	30	10	70	50	30	10	70	50	30	10	70	50	30	10	70	50	30		10
0	49	49	49	49	48	48	48	48	46	46	46	44	44	44	42	42	42	41				
1	47	45	44	43	46	44	43	42	43	42	41	41	40	40	40	39	39	38				
2	45	42	39	38	44	41	39	37	39	38	36	38	37	36	37	36	35	34				
3	42	38	35	33	41	37	35	33	36	34	33	35	34	32	34	33	32	31				
4	39	35	32	30	39	34	32	30	34	31	29	33	31	29	32	30	29	28				
5	37	32	29	27	36	32	29	27	31	28	27	30	28	26	30	28	26	25				
6	35	30	27	24	34	29	26	24	29	26	24	28	26	24	27	25	24	23				
7	32	27	24	22	32	27	24	22	27	24	22	26	24	22	26	23	22	21				
8	31	25	22	20	30	25	22	20	25	22	20	24	22	20	24	22	20	19				
9	29	24	21	19	28	23	21	19	23	20	19	23	20	19	22	20	19	18				
10	27	22	19	17	27	22	19	17	22	19	17	21	19	17	21	19	17	17				

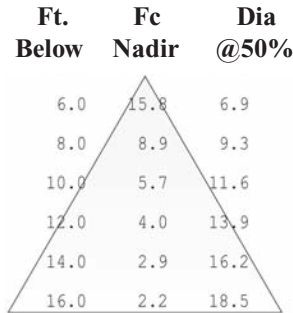


Product Number: A4INC/4000SG
Frame In Kit: 4" Vertical Mount Incandescent
Reflector: 4" Vertical Soft Glow Reflector
LTL Test Number: 10547 (BT15)
Lamp(s) Source: 100W BT15 Rated at 1670 lumens
Total Luminaire Efficiency: 49.7%
CIE Type: Direct
Luminaire Spacing Criterion: 1.1
Luminous Diameter: 4.500

Zonal Lumen Summary

ZONE	LUMENS	%LAMP	%FIXTURE
0-30	436	26.1	52.5
0-40	663	39.7	79.9
0-60	829	49.6	99.8
0-90	831	49.7	100.0
90-180	0	0.0	0.0
0-180	831	49.7	100.0

Cone of Light



Coefficients of Utilization

RC	80				70				50				30				10				0	
	RW	70	50	30	10	70	50	30	10	70	50	30	10	70	50	30	10	70	50	30		10
0	59	59	59	59	58	58	58	58	55	55	55	53	53	53	51	51	51	50				
1	56	55	54	53	55	54	53	52	52	51	50	50	49	49	48	48	47	46				
2	54	51	49	48	53	51	49	47	49	47	46	47	46	45	46	45	44	43				
3	51	48	45	43	50	47	45	43	46	44	42	45	43	42	44	42	41	40				
4	48	45	42	40	48	44	42	40	43	41	39	42	40	39	41	40	38	38				
5	46	42	39	37	45	41	38	36	40	38	36	39	37	36	39	37	35	35				
6	43	39	36	34	43	38	36	33	38	35	33	37	35	33	36	34	33	32				
7	41	36	33	31	40	36	33	31	35	32	30	34	32	30	34	32	30	29				
8	38	33	30	28	38	33	30	28	32	30	28	32	29	28	31	29	28	27				
9	36	31	28	25	35	30	27	25	30	27	25	29	27	25	29	27	25	24				
10	34	28	25	23	33	28	25	23	28	25	23	27	25	23	27	25	23	22				

