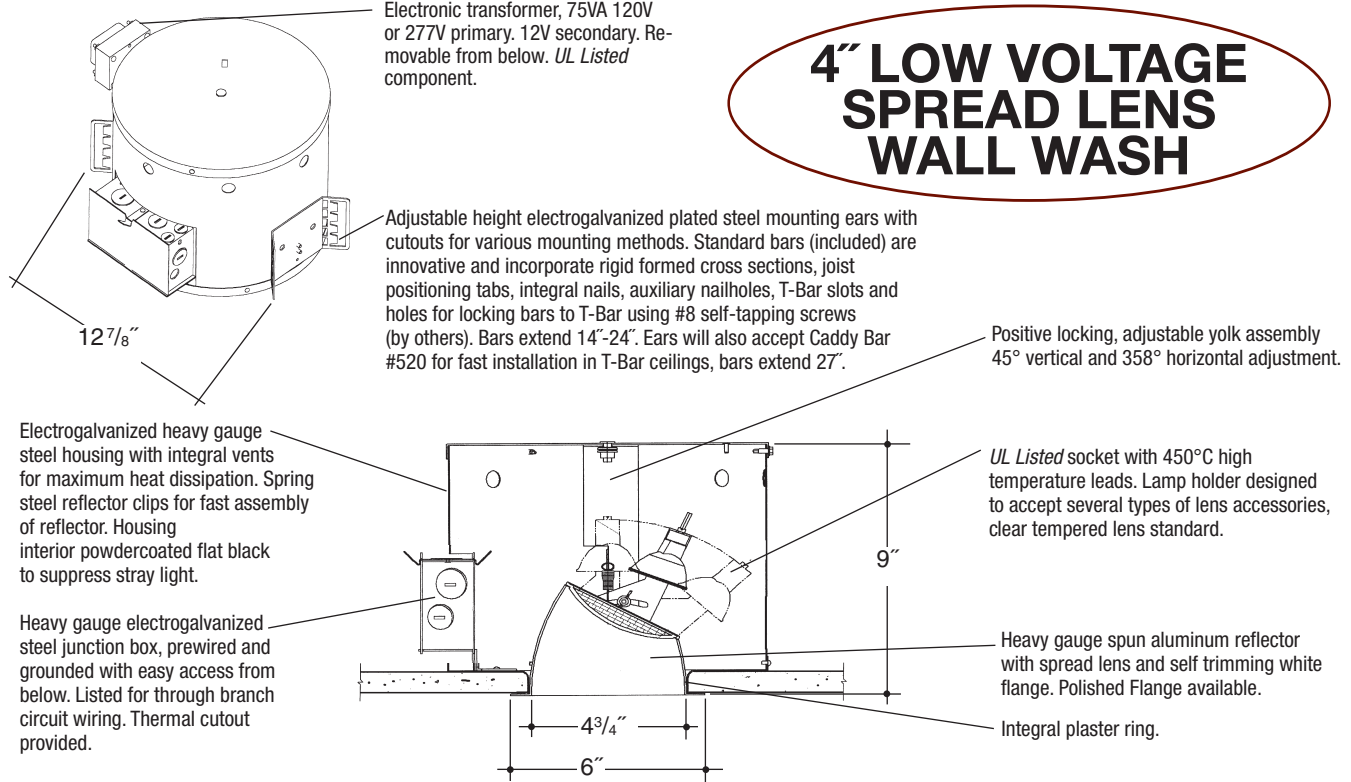


Architectural Grade

Job Name _____

Type _____



4" LOW VOLTAGE SPREAD LENS WALL WASH

Rough in Kit – 4" Low Voltage Adjustable (75W MR16; 50W MR16)

Catalog number **A4LV-ADJ**

A4LV-ADJ	Wattage	Transformer	Voltage	Transformer	
	75W MAX. MR16 50W MR16	E	1 2	E	Electronic

Finishing Kit – 4" Low Voltage 35° Angle Cut "Alzak" Spread Lens Reflector

Catalog Number **4037**

4037	Finish	Option	Finish (Factory Standard)	
	SCL SGO WHT	PF GSK	SCL	Specular Clear "Alzak" with White Flange
		SGO	Specular Gold "Alzak" with White Flange	
		WHT	White Reflector with White Flange	
			Options ▲	
			PF	High Polished Flange
			GSK	Neoprene Foam Single Gasketing

Features
 Manufactured and Listed to UL 1598, ETL and CSA standards.
 Suitable for Damp Locations
 Wet location under covered ceiling



▲ See Options and Finishes pages for a list of additional finishes and equipment.
 Vantage reserves the right to change components, finishes or design details in any manner which does not alter the installed appearance or reduce performance and intended function.

