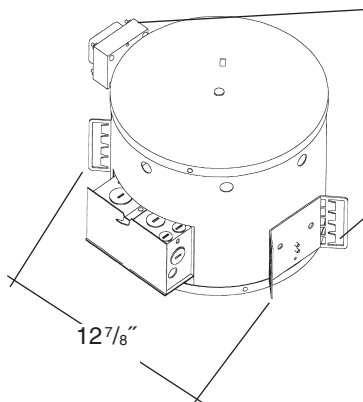


Architectural Grade

Job Name _____

Type _____



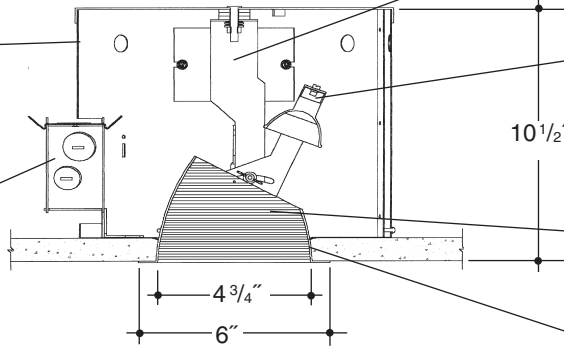
Electronic transformer, 75VA 120V or 277V primary. 12V secondary. Removable from below. *UL Listed* component.

**4" LOW VOLTAGE
OPEN ADJUSTABLE
BAFFLED**

Adjustable height electrogalvanized plated steel mounting ears with cutouts for various mounting methods. Standard bars (included) are innovative and incorporate rigid formed cross sections, joint positioning tabs, integral nails, auxiliary nailholes, T-Bar slots and holes for locking bars to T-Bar using #8 self-tapping screws (by others). Bars extend 14"-24". Ears will also accept Caddy Bar #520 for fast installation in T-Bar ceilings, bars extend 27".

Positive locking, adjustable yolk assembly 45° degree vertical and 358° degree horizontal adjustment.

Electrogalvanized heavy gauge steel housing with integral vents for maximum heat dissipation. Spring steel reflector clips for fast assembly of reflector. Housing interior powdercoated flat black to suppress stray light.



UL Listed socket with 450°C high temperature leads. Lamp holder designed to accept several types of lens accessories, clear tempered lens standard. (See Options)

Heavy gauge electrogalvanized steel junction box, prewired and grounded with easy access from below. Listed for through branch circuit wiring. Thermal cutout provided.

Heavy gauge spun aluminum angle cut 35° reflector with multi-groove baffle and self-trimming white painted flange.

Integral Plaster Ring.

Rough in Kit – 4" Low Voltage Adjustable (75W MR16; 50W MR16)

Catalog number **A4LV-ADJ**

A4LV-ADJ

Wattage	Transformer	Voltage
75W MAX. MR16 50W MR16	E	1 2

Transformer	Electronic
E	Electronic
1	120 Volts
2	277 Volts

Finishing Kit – 4" Low Voltage 35° Angle Cut Multi-Groove Baffled Reflector

Catalog Number **A4350**

A4350

Finish	Lamp Lens Options
BL WH	14 LS

Finish (Factory Standard)	
BL	Black Multi-Groove Baffle with White Flange
WH	White Multi-Groove Baffle with White Flange

Lamp Lens Options	
14	Prismatic Glass Lens
LS	Linear Spread Lens

Features

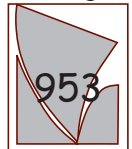
Manufactured and Listed to UL 1598, ETL and CSA standards.
Suitable for Damp Locations
Wet location under covered ceiling



▲ See Options and Finishes pages for a list of additional finishes and equipment.

Vantage reserves the right to change components, finishes or design details in any manner which does not alter the installed appearance or reduce performance and intended function.

Vantage



76 Community Avenue Plainfield, CT 06374
voice (860)564.4512 fax (860)564.4854
www.vantageitg.com

04/10

Luminaires