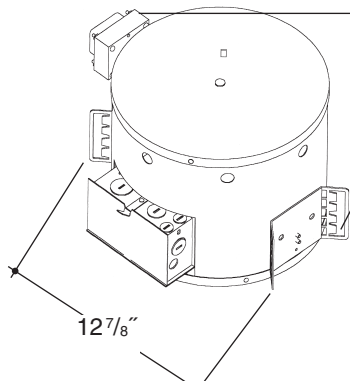


Architectural Grade

Job Name _____

Type _____



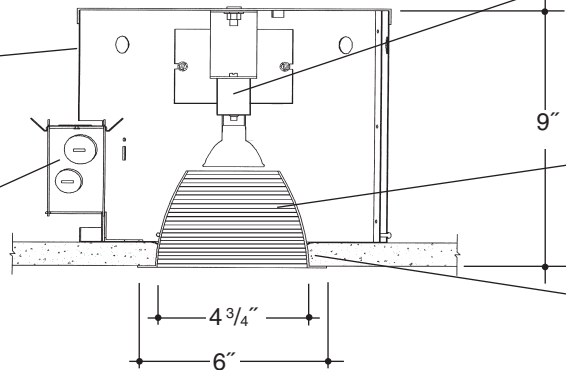
Electronic transformer, 75VA 120V or 277V primary. 12V secondary. Removable from below. *UL Listed* component.

4" LOW VOLTAGE OPEN BAFFLED

Adjustable height electrogalvanized plated steel mounting ears with cutouts for various mounting methods. Standard bars (included) are innovative and incorporate rigid formed cross sections, joist positioning tabs, integral nails, auxiliary nailholes, T-Bar slots and holes for locking bars to T-Bar using #8 self-tapping screws (by others). Bars extend 14"-24". Ears will also accept Caddy Bar #520 for fast installation in T-Bar ceilings, bars extend 27".

Electrogalvanized heavy gauge steel housing with integral vents for maximum heat dissipation. Spring steel reflector clips for fast assembly of reflector. Housing interior powdercoated flat black to suppress stray light.

Heavy gauge electrogalvanized steel junction box, prewired and grounded with easy access from below. Listed for through branch circuit wiring. Thermal cutout provided.



UL Listed socket with 450°C high temperature leads. Lamp holder designed to accept several types of lens accessories, clear tempered lens standard. (See Options)

Heavy gauge spun aluminum reflector with multi-groove baffle and self trimming white painted flange. Polished Flange available.

Integral Plaster Ring.

Rough in Kit – 4" Low Voltage (75W MR16; 50W MR16)

Catalog number **A4LV** _____

A4LV	Wattage	Transformer	Voltage
	75W MAX. MR16	E	1
	50W MR16		2

Transformer	
E	Electronic
1	120 Volts
2	277 Volts

Finishing Kit – 4" Low Voltage Multi-Groove Baffled Reflector

Catalog Number **4450** _____

4450	Finish	Option	Lamp Lens Options
	BL	PF	14
	WH	GSK	S18
			I532
			LS

Finish (Factory Standard)

- BL** Black Multi-Groove Baffle with White Flange
- WH** White Multi-Groove Baffle with White Flange

Options ▲

- PF** High Polished Flange
- GSK** Neoprene Foam Single Gasketing

Lamp Lens Options

- 14** Prismatic Glass Lens
- S18** Solite Softening Lens
- I532** Industrix Diffusing Lens
- LS** Linear Spread Lens

Features

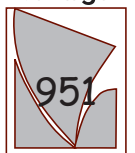
Manufactured and Listed to UL 1598, ETL and CSA standards.
Suitable for Damp Locations
Wet location under covered ceiling



▲ See Options and Finishes pages for a list of additional finishes and equipment.

Vantage reserves the right to change components, finishes or design details in any manner which does not alter the installed appearance or reduce performance and intended function.

Vantage



Luminaires