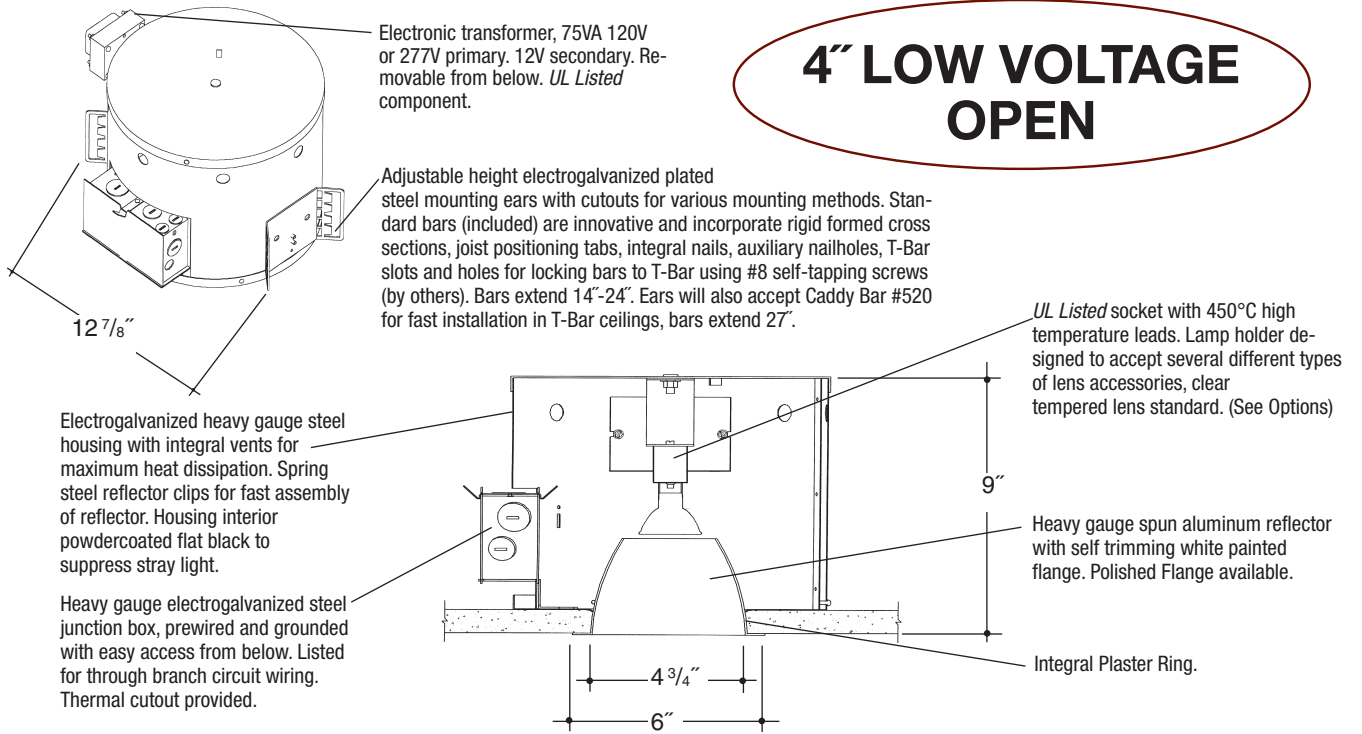


# Architectural Grade

Job Name \_\_\_\_\_

Type \_\_\_\_\_



**4" LOW VOLTAGE OPEN**

## Rough in Kit – 4" Low Voltage (75W MR16; 50W MR16)

Catalog number **A4LV**

A4LV	Wattage	Transformer	Voltage	Transformer	
	75W MAX. MR16	E	1	E	Electronic
	50W MR16		2	1	120 Volts
				2	277 Volts

## Finishing Kit – 4" Low Voltage Open Reflector

Catalog Number **4400**

4400	Finish	Options	Lamp Lens Options	Finish (Factory Standard)
	SCL	PF	14	<b>SCL</b> Specular Clear "Alzak" with White Flange
	SGO	GSK	S18	<b>SGO</b> Specular Gold "Alzak" with White Flange
	WHT		I532	<b>WHT</b> White Reflector with White Flange
			LS	
				Options ▲
				<b>PF</b> High Polished Flange
				<b>GSK</b> Neoprene Foam Single Gasketing
				Lamp Lens Options
				<b>14</b> Prismatic Glass Lens
				<b>S18</b> Solite Softening Lens
				<b>I532</b> Industrix Diffusing Lens
				<b>LS</b> Linear Spread Lens

### Features

Manufactured and Listed to UL 1598, ETL and CSA standards.  
Suitable for Damp Locations  
Wet location under covered ceiling

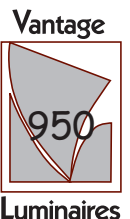


▲ See Options and Finishes pages for a list of additional finishes and equipment.

Vantage reserves the right to change components, finishes or design details in any manner which does not alter the installed appearance or reduce performance and intended function.

06/07

76 Community Avenue Plainfield, CT 06374  
voice (860)564.4512 fax (860)564.4854  
www.vantageitg.com



# Photometric Information

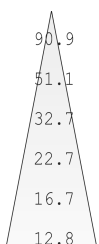
**Product Number:** A4LV50E1/A4000SCL  
**Frame In Kit:** 4" Low Voltage MR16, clear glass lens enclosure below lamp  
**Reflector:** 4" Low Voltage Open Reflector  
**LTL Test Number:** 09288  
**Lamp(s) Source:** (1) 50W Q50MR16C/NFL25 EYZ  
 Rated at 800 lumens  
**Total Luminaire Efficiency:** 78.3%  
**CIE Type:** Direct  
**Luminaire Spacing Criterion:** 0.4      **Lumi-**  
**nous Diameter:** 4.50

### Zonal Lumen Summary

ZONE	LUMENS	%LAMP	%FIXTURE
0- 30	623	77.9	99.4
0- 40	627	78.3	100.0
0- 60	627	78.3	100.0
0- 90	627	78.3	100.0
90-180	0	0.0	0.0
0-180	627	78.3	100.0

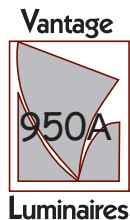
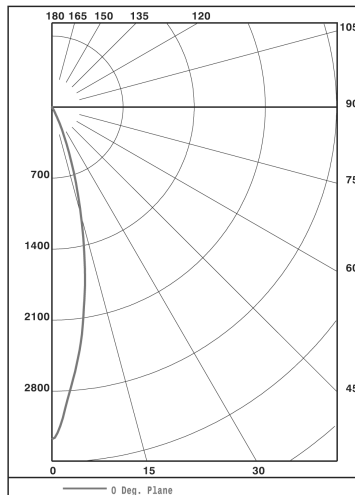
### Cone of Light

Ft. Below	Fc Nadir	Dia @50%
6.0	90.9	2.3
8.0	51.1	3.1
10.0	32.7	3.8
12.0	22.7	4.6
14.0	16.7	5.4
16.0	12.8	6.1



### Coefficients of Utilization

RC	80			70			50			30			10			0		
RW	70	50	30	10	70	50	30	10	50	30	10	50	30	10	50	30	10	0
0	93	93	93	93	91	91	91	91	87	87	87	83	83	83	80	80	80	78
1	91	89	88	87	89	88	87	86	85	84	83	82	81	81	79	79	78	77
2	89	86	85	83	87	85	83	82	83	81	80	81	80	79	79	78	77	76
3	87	84	82	80	86	83	81	80	81	80	78	80	78	77	78	77	76	75
4	85	82	80	78	84	81	79	77	80	78	77	78	77	76	77	76	75	74
5	83	80	77	76	82	79	77	75	78	76	75	77	75	74	76	75	74	73
6	82	78	76	74	81	78	76	74	77	75	74	76	74	73	75	74	73	72
7	81	77	74	73	80	76	74	73	76	74	72	75	73	72	74	73	72	71
8	79	75	73	71	78	75	73	71	74	72	71	74	72	71	73	72	70	70
9	78	74	72	70	77	74	71	70	73	71	70	73	71	70	72	71	69	69
10	77	73	70	69	76	72	70	69	72	70	69	72	70	69	71	70	68	68




**Product Number:** A4LV50E1/A4000SCL-S18  
**Frame In Kit:** 4" Low Voltage MR16, clear glass Solite lens enclosure below lamp  
**Reflector:** 4" Low Voltage Open Reflector  
**LTL Test Number:** 09289  
**Lamp(s) Source:** (1) 50W Q50MR16C/NFL25 EYZ  
 Rated at 800 lumens  
**Total Luminaire Efficiency:** 78.3%  
**CIE Type:** Direct  
**Luminaire Spacing Criterion:** 0.4      **Lumi-**  
**nous Diameter:** 4.50

### Zonal Lumen Summary

ZONE	LUMENS	%LAMP	%FIXTURE
0- 30	617	77.1	98.4
0- 40	627	78.3	100.0
0- 60	627	78.3	100.0
0- 90	627	78.3	100.0
90-180	0	0.0	0.0
0-180	627	78.3	100.0

### Cone of Light

Ft. Below	Fc Nadir	Dia @50%
6.0	80.2	2.4
8.0	45.1	3.1
10.0	28.9	3.9
12.0	20.0	4.7
14.0	14.7	5.5
16.0	11.3	6.3



### Coefficients of Utilization

RC	80			70			50			30			10			0		
RW	70	50	30	10	70	50	30	10	50	30	10	50	30	10	50	30	10	0
0	93	93	93	93	91	91	91	91	87	87	87	83	83	83	80	80	80	78
1	91	89	88	87	89	88	87	86	85	84	83	82	81	80	79	79	78	77
2	88	86	84	83	87	85	83	82	82	81	80	80	79	78	78	77	77	76
3	87	84	81	80	85	83	81	79	81	79	78	79	78	77	78	76	76	75
4	85	81	79	77	84	81	78	77	84	81	78	79	77	76	78	76	75	73
5	83	79	77	75	82	79	76	74	77	75	74	76	75	73	75	74	73	72
6	81	78	75	73	81	77	75	73	76	74	73	75	73	72	74	73	72	71
7	80	76	73	71	79	75	73	71	74	72	71	74	72	71	73	71	70	70
8	78	74	72	70	77	74	71	70	73	71	69	72	71	69	72	70	69	68
9	77	73	70	68	76	72	70	68	72	70	68	71	69	68	71	69	68	67
10	75	71	69	67	75	71	69	67	70	68	67	70	68	67	70	68	67	66

