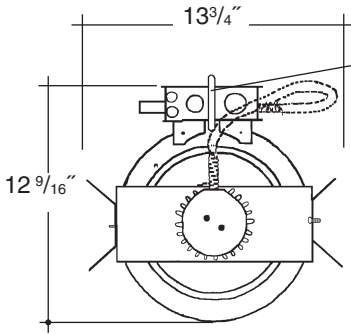


A r c h i t e c t u r a l G r a d e

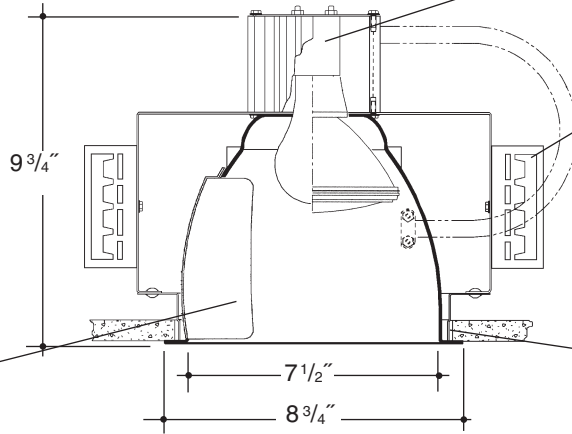
Job Name _____

Type _____



Heavy duty cast aluminum junction box, prewired and grounded with easy access from below. Listed for through branch circuit wiring. *UL Listed.* Thermal cut-out provided.

8" OPEN WALL WASH NON-MAGNETIC/MRI



Aluminum heat sink socket cup with stainless steel and brass hardware. Keyslots in reflector for fast assembly. *UL Listed* medium base porcelain socket, with nickel plated brass screw shell.

Adjustable height aluminum mounting brackets with cutouts for various mounting methods. Aluminum mounting bars (included) suitable for use in MRI. Brackets will accept aluminum C-Channel or other non-magnetic mounting bars. (supplied by others)

Heavy gauge spun aluminum reflector with self trimming white painted flange. Aluminum wall washing kicker plate in a bright dip clear finish. Polished Flange available.

Aluminum plaster ring fastened to the spun aluminum frame and aluminum reflector mounting strap with aluminum rivets.

Rough in Kit – 8" Incandescent Non-Magnetic Construction (250W PAR38; 200W A23; 150W A21, PAR38; 100W BR40; 100W PAR30)

Catalog Number **A81NCAL**

A81NCAL	Wattage	Voltage
	250W MAX. PAR38 200W A23 150W A21, PAR38 100W BR40 100W PAR30	120

Finishing Kit – 8" Incandescent Non-Magnetic Open Reflector Downlight Wall Washer

Catalog Number **A8100**

A8100	Finish	Options
	SCL SGO	PF

Finish (Factory Standard)

SCL Specular Clear "Alzak" Reflector with White Flange
SGO Specular Gold "Alzak" Reflector with White Flange

Options ▲

PF High Polished Flange

Features

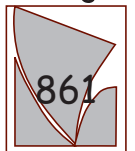
Manufactured and Listed to UL 1598, ETL and CSA standards.
Suitable for Damp Locations
Wet location under covered ceiling



▲ See Options and Finishes pages for a list of additional finishes and equipment.

Vantage reserves the right to change components, finishes or design details in any manner which does not alter the installed appearance or reduce performance and intended function.

Vantage



Luminaires

76 Community Avenue Plainfield, CT 06374
voice (860)564.4512 fax (860)564.4854
www.vantagegtg.com

05/07