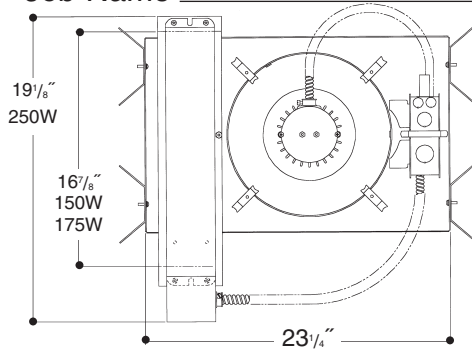


Architectural Grade

Job Name _____

Type _____

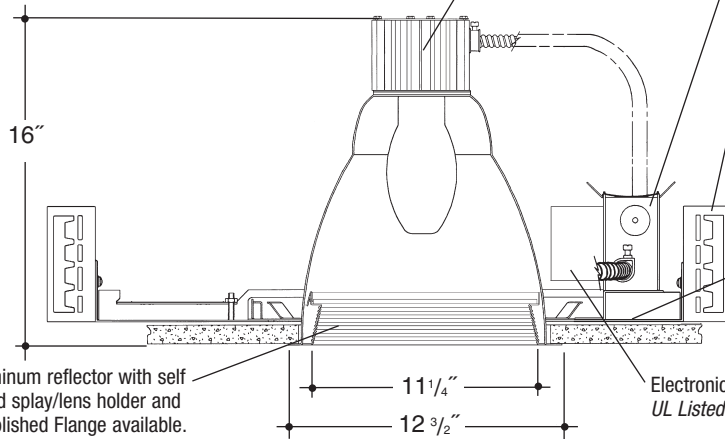


12" LENSED BAFFLED HID

Extruded aluminum heat sink socket cup with spring steel snap-in clips for fast assembly. *UL Listed* "enclosed rated", pulse rated, 4KV, mogul base porcelain socket, with nickel plated brass screw shell.

Heavy gauge electrogalvanized steel junction box, prewired and grounded with easy access from below. Listed for through branch circuit wiring. Thermal cutout provided.

Adjustable height electrogalvanized plated steel mounting ears with cutouts for various mounting methods. Standard bars (included) are innovative and incorporate rigid formed cross sections, joint positioning tabs, integral nails, auxiliary nailholes, T-Bar slots and holes for locking bars to T-Bar using #8 self-tapping screws (by others). Bars extend 14"-24". Ears will also accept Caddy Bar #520 for fast installation in T-Bar ceilings, bars extend 27".



Heavy gauge spun aluminum reflector with self trimming flanged baffled splay/lens holder and white painted flange. Polished Flange available. Safety chain provided.

Electronic ballast factory standard. *UL Listed* component.

Rough in Kit – 12" HID (ED28 Enclosed Rated* Lamp). *Note: 'Enclosed Fixture Rated' lamp must be used.

Catalog Number **A12MHEM**

A12MHEM	Wattage	Ballast	Voltage	Options
	250W MAX. ED28	H	1	QS
	175W ED28	P/R	2	QR
	150W ED28	E	3	PR
			4	R
				F

Ballast	
H	Encased & Potted "F" Can
P/R	Pulse Rated
E	Electronic
Voltage	
1	120 Volts
2	277 Volts
3	347 Volts
4	208 Volts
Options ▲	
QS	Quartz Socket
QR	Quartz Restrike
PR	Plaster Ring
R	Remodeler
F	Fused

HPS – Replace A12MHEM with A12HPSEM

HPS – High Pressure Sodium available up to 250 Watt.

Finishing Kit – 12" HID Lensed Reflector - clear reflector standard with Black or White Baffled Splay

Catalog Number **124**

124	Lens	Finish	Options
	12421 - Tempered Clear Lens	SCL/BL	PF
	12424 - Tempered Prismatic Lens (C73 Pattern)	SCL/WH	DGSK
	12426 - Fresnel Lens	WHT/WH	
		WHT/BL	

Finish (Factory Standard)

SCL/BL	Specular Clear "Alzak" with Black Baffled Splay
SCL/WH	Specular Clear "Alzak" with White Baffled Splay
WHT/WH	White Reflector with White Baffled Splay
WHT/BL	White Reflector with Black Baffled Splay

Options ▲

PF	High Polished Flange
DGSK	Neoprene Foam Double Gasketing

Features

Manufactured and Listed to UL 1598, ETL and CSA standards. Suitable for Damp Locations Wet location under covered ceiling



▲ See Options and Finishes pages for a list of additional finishes and equipment.

Vantage reserves the right to change components, finishes or design details in any manner which does not alter the installed appearance or reduce performance and intended function.

Vantage



76 Community Avenue Plainfield, CT 06374
 voice (860)564.4512 fax (860)564.4854
 www.vantageitg.com

03/10

Luminaires