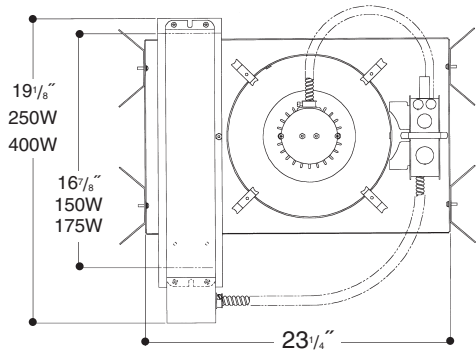


Architectural Grade

Job Name _____

Type _____



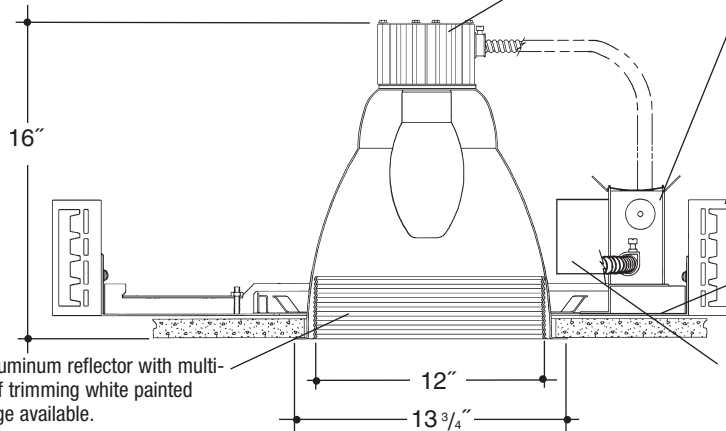
12" OPEN BAFFLED HID

Extruded aluminum heat sink socket cup with spring steel snap-in clips for fast assembly. *UL Listed* "open rated", pulse rated, 4KV, mogul base porcelain socket, with nickel plated brass screw shell.

Heavy gauge electrogalvanized steel junction box, prewired and grounded with easy access from below. Listed for through branch circuit wiring. Thermal cutout provided.

Adjustable height electrogalvanized plated steel mounting ears with cutouts for various mounting methods. Standard bars (included) are innovative and incorporate rigid formed cross sections, joist positioning tabs, integral nails, auxiliary nailholes, T-Bar slots and holes for locking bars to T-Bar using #8 self-tapping screws (by others). Bars extend 14"-24". Ears will also accept Caddy Bar #520 for fast installation in T-Bar ceilings, bars extend 27".

Electrogalvanized plated steel frame components with spring steel reflector clips for fast assembly of reflector.



Heavy gauge spun aluminum reflector with multi-groove baffle and self trimming white painted flange. Polished Flange available.

Electronic ballast factory standard. *UL Listed* component.

Rough in Kit – 12" HID (ED28 Open Rated* Lamp). *Note: 'Open Fixture Rated' lamp must be used.

Catalog Number **A12MHOM**

A12MHOM

| Wattage | Ballast | Voltage | Options |
|----------------|---------|---------|---------|
| 400W MAX. ED28 | H | 1 | QS |
| 250W ED28 | P/R | 2 | QR |
| 175W ED28 | E | 3 | PR |
| 150W ED28 | | 4 | R |
| | | | F |

| Ballast | |
|-----------|--------------------------|
| H | Encased & Potted "F" Can |
| P/R | Pulse Rated |
| E | Electronic |
| Voltage | |
| 1 | 120 Volts |
| 2 | 277 Volts |
| 3 | 347 Volts |
| 4 | 208 Volts |
| Options ▲ | |
| QS | Quartz Socket |
| QR | Quartz Restrike |
| PR | Plaster Ring |
| R | Remodeler |
| F | Fused |

HPS – Replace **A12MHOM** with **HPS-A12HPSOM**

HPS – High Pressure Sodium available up to 400 Watt.

Finishing Kit – 12" HID Open Baffled Reflector

Catalog Number **12450**

12450

| Finish | Options |
|--------|---------|
| SCL/BL | PF |
| SGO/BL | GSK |
| SCL/WH | |
| SGO/WH | |
| WHT/WH | |
| WHT/BL | |

Finish (Factory Standard)

| | |
|---------------|---|
| SCL/BL | Specular Clear "Alzak" with White Flange and Black Baffle |
| SGO/BL | Specular Gold "Alzak" with White Flange and Black Baffle |
| SCL/WH | Specular Clear "Alzak" with White Flange and White Baffle |
| SGO/WH | Specular Gold "Alzak" with White Flange and White Baffle |
| WHT/WH | White Reflector with White Flange with White Baffle |
| WHT/BL | White Reflector with White Flange with Black Baffle |

Options ▲

| | |
|------------|--------------------------------|
| PF | High Polished Flange |
| GSK | Neoprene Foam Single Gasketing |

Features

Manufactured and Listed to UL 1598, ETL and CSA standards. Suitable for Damp Locations Wet location under covered ceiling



▲ See Options and Finishes pages for a list of additional finishes and equipment.

Vantage reserves the right to change components, finishes or design details in any manner which does not alter the installed appearance or reduce performance and intended function.

Vantage



Luminaires

76 Community Avenue Plainfield, CT 06374
 voice (860)564.4512 fax (860)564.4854
 www.vantageitg.com

03/10