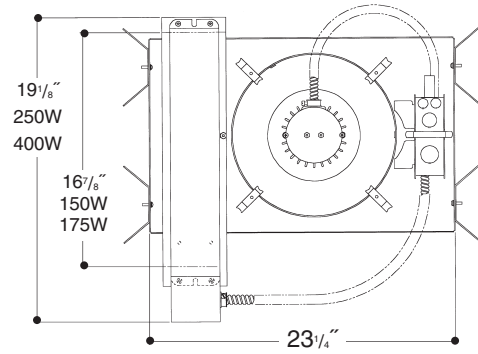


# Architectural Grade

Job Name \_\_\_\_\_

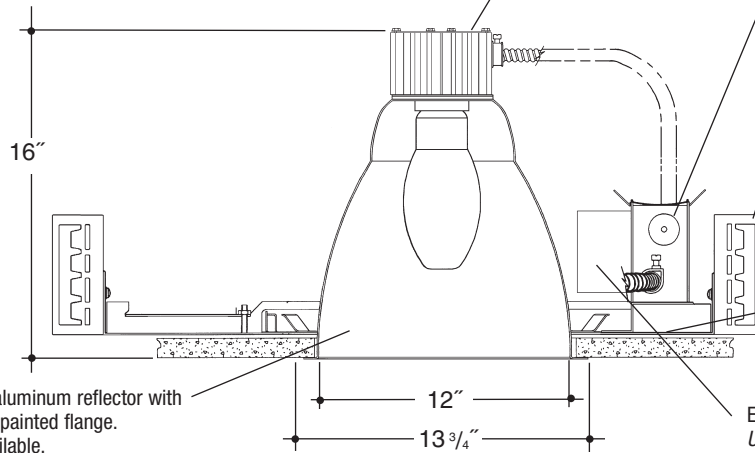
Type \_\_\_\_\_



**12" OPEN HID**

Extruded aluminum heat sink socket cup with spring steel snap-in clips for fast assembly. *UL Listed* "open rated", pulse rated, 4KV, mogul base porcelain socket, with nickel plated brass screw shell.

Heavy gauge electrogalvanized steel junction box, prewired and grounded with easy access from below. Listed for through branch circuit wiring. Thermal cutout provided.



Adjustable height electrogalvanized plated steel mounting ears with cutouts for various mounting methods. Standard bars (included) are innovative and incorporate rigid formed cross sections, joist positioning tabs, integral nails, auxiliary nailholes, T-Bar slots and holes for locking bars to T-Bar using #8 self-tapping screws (by others). Bars extend 14"-24". Ears will also accept Caddy Bar #520 for fast installation in T-Bar ceilings, bars extend 27".

Heavy gauge spun aluminum reflector with self trimming white painted flange. Polished Flange available.

Electrogalvanized plated steel frame components with spring steel reflector clips for fast assembly of reflector.

Electronic ballast factory standard. *UL Listed* component.

## Rough in Kit – 12" HID (ED28 Open Rated\* Lamp). \*Note: 'Open Fixture Rated' lamp must be used.

Catalog Number **A12MHOM**

<b>A12MHOM</b>	<b>Wattage</b>	<b>Ballast</b>	<b>Voltage</b>	<b>Options</b>
	400W MAX. ED28	H	1	QS
	250W ED28	P/R	2	QR
	175W ED28	E	3	PR
	150W ED28		4	R
				F

Ballast

**H** Encased & Potted "F" Can  
**P/R** Pulse Rated  
**E** Electronic

Voltage

**1** 120 Volts  
**2** 277 Volts  
**3** 347 Volts  
**4** 208 Volts

Options ▲

**QS** Quartz Socket  
**QR** Quartz Restrike  
**PR** Plaster Ring  
**R** Remodeler  
**F** Fused

**HPS** – Replace **A12MHOM** with **HPS-A12HPSOM**

**HPS** – High Pressure Sodium available up to 400 Watt.

## Finishing Kit – 12" HID Open Reflector

Catalog Number **12400**

<b>12400</b>	<b>Finish</b>	<b>Options</b>
	SCL	PF
	SGO	GSK
	WHT	

Finish (Factory Standard)

<b>SCL</b>	Specular Clear "Alzak" with White Flange
<b>SGO</b>	Specular Gold "Alzak" with White Flange
<b>WHT</b>	White Reflector with White Flange

Options ▲

<b>PF</b>	High Polished Flange
<b>GSK</b>	Neoprene Foam Single Gasketing

## Features

Manufactured and Listed to UL 1598, ETL and CSA standards. Suitable for Damp Locations Wet location under covered ceiling



▲ See Options and Finishes pages for a list of additional finishes and equipment.

Vantage reserves the right to change components, finishes or design details in any manner which does not alter the installed appearance or reduce performance and intended function.

Vantage



76 Community Avenue Plainfield, CT 06374  
 voice (860)564.4512 fax (860)564.4854  
 www.vantageitg.com

03/10

Luminaires

# Photometric Information

**Product Number:** 12MHOM250H/A12400SCL  
**Frame In Kit:** 12" Vertical Mount Metal Halide  
**Reflector:** 12" Vertical Clear "Alzak" Reflector  
**LTL Test Number:** 08675  
**Lamp(s) Source:** (1) 250W M58 ED28 clear lamp rated at 20,500 lumens  
**Total Luminaire Efficiency:** 72.2%  
**CIE Type:** Direct  
**Luminaire Spacing Criterion:** 0.2  
**Luminous Diameter:** 12.00

### Zonal Lumen Summary

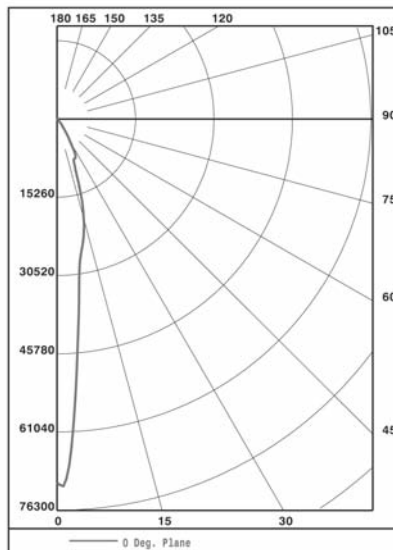
ZONE	LUMENS	%LAMP	%FIXTURE
0- 30	12886	62.9	87.1
0- 40	14525	70.9	98.2
0- 60	14797	72.2	100.0
0- 90	14797	72.2	100.0
90-180	0	0.0	0.0
0-180	14797	72.2	100.0

### Cone of Light

Ft. Below	Fc Nadir	Dia @50%
6.0	1970.1	1.4
8.0	1108.2	1.9
10.0	709.2	2.4
12.0	492.5	2.9
14.0	361.9	3.4
16.0	277.0	3.8

### Coefficients of Utilization

RC	80				70				50				30				10				0
	RW	70	50	30	10	RW	70	50	30	10	RW	70	50	30	10	RW	70	50	30	10	
0	86	86	86	86	84	84	84	84	80	80	80	77	77	77	74	74	74	72			
1	83	82	80	79	81	80	79	78	77	76	76	75	74	73	72	72	71	70			
2	81	78	76	74	79	77	75	74	75	73	72	73	72	71	71	70	69	68			
3	78	75	73	71	77	74	72	70	73	71	69	71	70	68	69	68	67	66			
4	76	73	70	68	75	72	69	67	70	68	67	69	67	66	68	66	65	64			
5	74	70	67	65	73	69	67	65	68	66	64	67	65	64	66	64	63	62			
6	72	68	65	63	71	67	65	63	66	64	62	65	63	62	65	63	62	61			
7	70	65	63	61	69	65	62	60	64	62	60	63	61	60	63	61	60	59			
8	68	63	60	58	67	63	60	58	62	60	58	62	59	58	61	59	58	57			
9	66	61	58	56	65	61	58	56	60	58	56	60	58	56	59	57	56	55			
10	64	59	57	55	64	59	56	55	59	56	54	58	56	54	58	56	54	54			



**Product Number:** 12MHOM320H/A12400SCL  
**Frame In Kit:** 12" Vertical Mount Metal Halide  
**Reflector:** 12" Vertical Clear "Alzak" Reflector  
**LTL Test Number:** 08649  
**Lamp(s) Source:** (1) 320W M132 ED28 Pulse Start clear lamp rated at 34,000 lumens  
**Total Luminaire Efficiency:** 70.8%  
**CIE Type:** Direct  
**Luminaire Spacing Criterion:** 0.2  
**Luminous Diameter:** 12.00

### Zonal Lumen Summary

ZONE	LUMENS	%LAMP	%FIXTURE
0- 30	19987	58.8	83.1
0- 40	23491	69.1	97.6
0- 60	23997	70.6	99.7
0- 90	24063	70.8	100.0
90-180	0	0.0	0.0
0-180	24063	70.8	100.0

### Cone of Light

Ft. Below	Fc Nadir	Dia @50%
6.0	2500.1	1.3
8.0	1406.3	1.7
10.0	900.0	2.1
12.0	625.0	2.6
14.0	459.2	3.0
16.0	351.6	3.4

### Coefficients of Utilization

RC	80				70				50				30				10				0
	RW	70	50	30	10	RW	70	50	30	10	RW	70	50	30	10	RW	70	50	30	10	
0	84	84	84	84	82	82	82	82	79	79	79	75	75	75	72	72	72	71			
1	81	80	78	77	80	78	77	76	76	75	74	73	72	72	71	70	69	68			
2	79	76	74	72	77	75	73	71	73	71	70	71	70	68	69	68	67	66			
3	76	73	70	68	75	72	70	68	70	68	67	69	67	66	67	66	65	64			
4	74	70	67	65	73	69	67	65	68	66	64	66	65	63	65	64	62	62			
5	71	67	64	62	70	66	64	62	65	63	61	64	62	61	63	61	60	59			
6	69	65	62	59	68	64	61	59	63	61	59	62	60	58	61	60	58	57			
7	67	62	59	57	66	62	59	57	61	58	56	60	58	56	59	57	56	55			
8	65	60	57	54	64	59	56	54	59	56	54	58	56	54	57	55	54	53			
9	62	57	54	52	62	57	54	52	56	54	52	56	53	52	55	53	52	51			
10	60	55	52	50	60	55	52	50	54	52	50	54	52	50	54	51	50	49			

