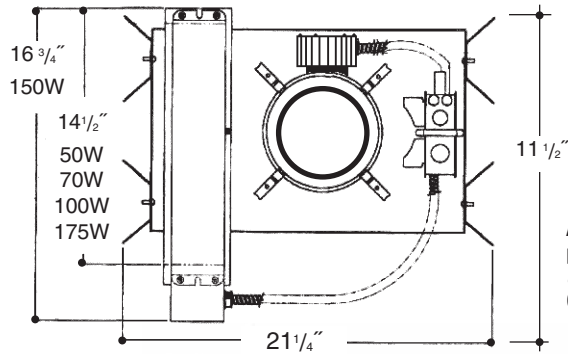


Architectural Grade

Job Name _____

Type _____

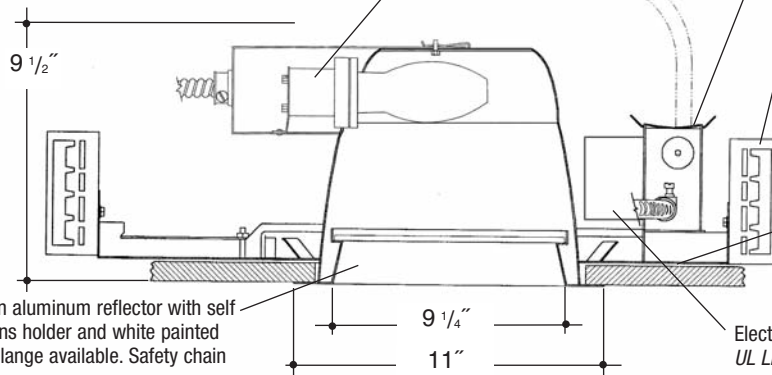


10" HORIZONTAL LENSED HID

Aluminum socket housing with zinc plated steel quick assembly hardware. *UL Listed* socket and electrical connectors. Open Rated coated ED17 medium base.

Heavy gauge electrogalvanized steel junction box, prewired and grounded with easy access from below. Listed for through branch circuit wiring. Thermal cutout provided.

Adjustable height electrogalvanized plated steel mounting ears with cutouts for various mounting methods. Standard bars (included) are innovative and incorporate rigid formed cross sections, joist positioning tabs, integral nails, auxiliary nailholes, T-Bar slots and holes for locking bars to T-Bar using #8 self-tapping screws (by others). Bars extend 14"-24". Ears will also accept Caddy Bar #520 for fast installation in T-Bar ceilings, bars extend 27".



Heavy gauge spun aluminum reflector with self trimming splay/lens holder and white painted flange. Polished Flange available. Safety chain provided.

Electrogalvanized plated steel frame components with spring steel reflector clips for fast assembly of reflector.

Electronic ballast factory standard. *UL Listed* component.

Rough in Kit – 10" Horizontal HID (ED17 Enclosed Rated* Lamp). **Note:* 'Enclosed Fixture Rated' lamp must be used.

Catalog Number **A10MHE-HOR**

A10MHE-HOR

Wattage

Ballast

Voltage

Options

175W MAX. ED17
150W ED17
100W ED17
70W ED17
50W ED17

P/R
E

1
2
3
4

QS
QR
PR
R
F

Ballast	P/R	Pulse Rated
	E	Electronic
Voltage		
1		120 Volts
2		277 Volts
3		347 Volts
4		208 Volts
Options ▲		
QS		Quartz Socket
QR		Quartz Restrike
PR		Plaster Ring
R		Remodeler
F		Fused

HPS – Replace **A10MHE-HOR** with **A10HPSE-HOR**

HPS – High Pressure Sodium available up to 150 Watt.

Finishing Kit – 10" Horizontal HID Lensed Reflector - clear reflector standard with White Splay and self trim flange

Catalog Number **106**

106

Lens

Finish

Options

10661 - Tempered Clear Lens
10664 - Tempered Prismatic Lens (C73 Pattern)
10666 - Fresnel Lens
10669 - Drop Opal Lens

SCL
SGO
WHT

PF
DGSK

Finish (Factory Standard)

SCL Specular Clear "Alzak" Splay with White Flange
SGO Specular Gold "Alzak" Splay with White Flange
WHT White Splay with White Flange

Options ▲
PF
DGSK

High Polished Flange
Neoprene Foam Double Gasketing

Features

Manufactured and Listed to UL 1598, ETL and CSA standards. Suitable for Damp Locations Wet location under covered ceiling



▲ See Options and Finishes pages for a list of additional finishes and equipment.

Vantage reserves the right to change components, finishes or design details in any manner which does not alter the installed appearance or reduce performance and intended function.

Vantage



Luminaires

76 Community Avenue Plainfield, CT 06374
voice (860)564.4512 fax (860)564.4854
www.vantageitg.com

03/10