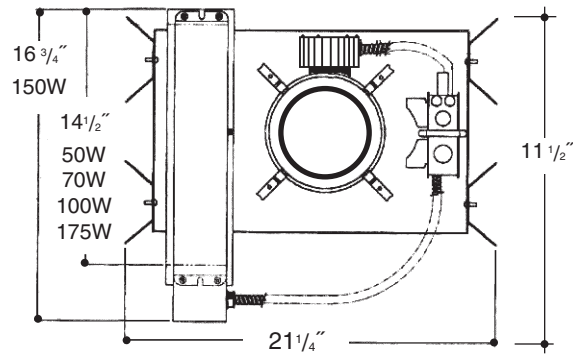


# Architectural Grade

Job Name \_\_\_\_\_

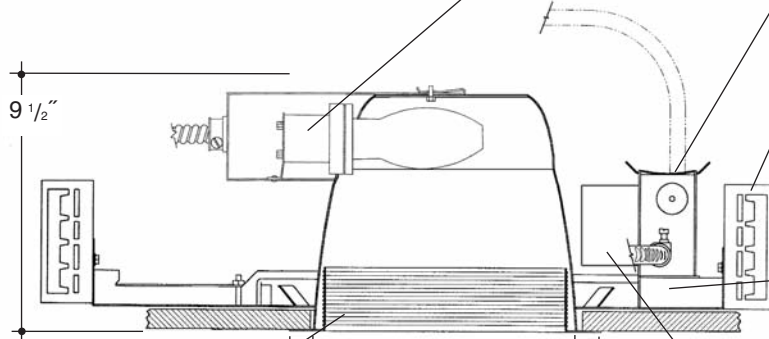
Type \_\_\_\_\_



## 10" HORIZONTAL OPEN BAFFLED HID

Aluminum socket housing with zinc plated steel quick assembly hardware.  
UL Listed socket and electrical connectors.  
Open Rated coated ED17 medium base.

Heavy gauge electrogalvanized steel junction box, prewired and grounded with easy access from below. Listed for through branch circuit wiring. Thermal cutout provided.



Adjustable height electrogalvanized plated steel mounting ears with cutouts for various mounting methods. Standard bars (included) are innovative and incorporate rigid formed cross sections, joist positioning tabs, integral nails, auxiliary nailholes, T-Bar slots and holes for locking bars to T-Bar using #8 self-tapping screws (by others). Bars extend 14"-24". Ears will also accept Caddy Bar #520 for fast installation in T-Bar ceilings, bars extend 27".

Electrogalvanized plated steel frame components with spring steel reflector clips for fast assembly of reflector.

Heavy gauge spun aluminum horizontal reflector with multi-groove baffle and self trimming white painted flange. Polished Flange available.

Electronic ballast factory standard.  
UL Listed component.

### Rough in Kit – 10" Horizontal HID (ED17 Open Rated\* Lamp). \*Note: 'Open Fixture Rated' lamp must be used.

Catalog Number **A10MHO-HOR**

**A10MHO-HOR**

Wattage	Ballast	Voltage	Options
175W MAX. ED17	E	1	QS
150W ED17		2	QR
100W ED17		3	PR
70W ED17		4	R
50W ED17			F

Ballast	Options ▲
E Electronic	QS Quartz Socket
Voltage	QR Quartz Restrike
1 120 Volts	PR Plaster Ring
2 277 Volts	R Remodeler
3 347 Volts	F Fused
4 208 Volts	

HPS – Replace **A10MHO-HOR** with **A10HPS0-HOR**  
HPS – High Pressure Sodium available up to 150 Watt.

### Finishing Kit – 10" Horizontal HID Open Baffled Reflector

Catalog Number **10652**

**10652**

Finish	Options
SCL/BL	PF
SGO/BL	GSK
SCL/WH	
SGO/WH	
WHT/WH	
WHT/BL	

Finish (Factory Standard)	
<b>SCL/BL</b>	Specular Clear "Alzak" with White Flange and Black Baffle
<b>SGO/BL</b>	Specular Gold "Alzak" with White Flange and Black Baffle
<b>SCL/WH</b>	Specular Clear "Alzak" with White Flange and White Baffle
<b>SGO/WH</b>	Specular Gold "Alzak" with White Flange and White Baffle
<b>WHT/WH</b>	White Reflector with White Flange with White Baffle
<b>WHT/BL</b>	White Reflector with White Flange with Black Baffle

Options ▲	
<b>PF</b>	High Polished Flange
<b>GSK</b>	Neoprene Foam Single Gasketing

### Features

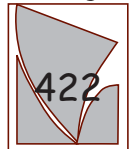
Manufactured and Listed to UL 1598, ETL and CSA standards.  
Suitable for Damp Locations  
Wet location under covered ceiling



▲ See Options and Finishes pages for a list of additional finishes and equipment.

Vantage reserves the right to change components, finishes or design details in any manner which does not alter the installed appearance or reduce performance and intended function.

Vantage



Luminaires

76 Community Avenue Plainfield, CT 06374  
voice (860)564.4512 fax (860)564.4854  
www.vantageitg.com

03/10