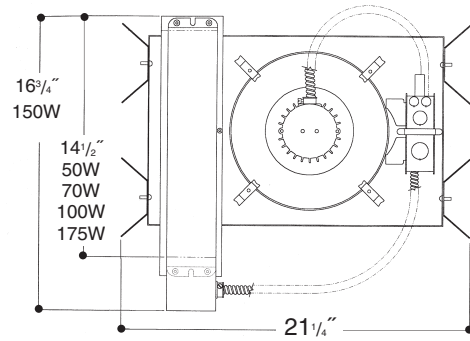


Architectural Grade

Job Name _____

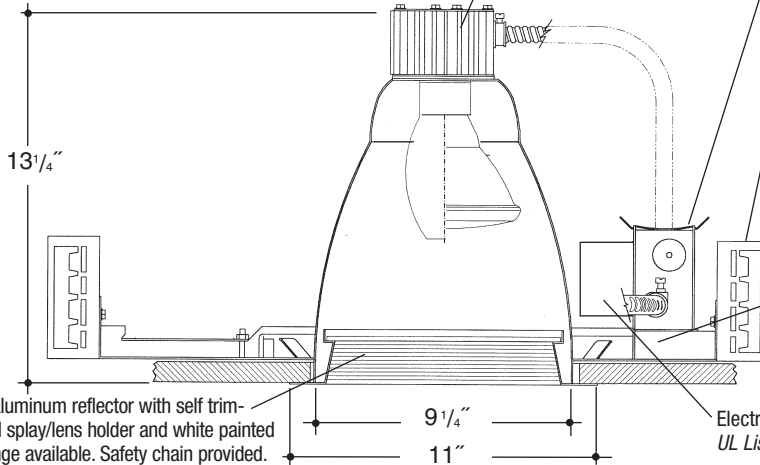
Type _____



10" LENSED BAFFLED HID

Extruded aluminum heat sink socket cup with spring steel snap-in clips for fast assembly. *UL Listed* "enclosed rated", pulse rated, 4KV, medium or mogul base porcelain socket, with nickel plated brass screw shell.

Heavy gauge electrogalvanized steel junction box, prewired and grounded with easy access from below. Listed for through branch circuit wiring. Thermal cutout provided.



Adjustable height electrogalvanized plated steel mounting ears with cutouts for various mounting methods. Standard bars (included) are innovative and incorporate rigid formed cross sections, joist positioning tabs, integral nails, auxiliary nailholes, T-Bar slots and holes for locking bars to T-Bar using #8 self-tapping screws (by others). Bars extend 14"-24". Ears will also accept Caddy Bar #520 for fast installation in T-Bar ceilings, bars extend 27".

Electrogalvanized plated steel frame components with spring steel reflector clips for fast assembly of reflector.

Heavy gauge spun aluminum reflector with self-trimming flanged baffled splay/lens holder and white painted flange. Polished Flange available. Safety chain provided.

Electronic ballast factory standard. *UL Listed* component.

Rough in Kit – 10" HID (ED17; PAR20; PAR30; PAR38 Enclosed Rated* Lamp). *Note: 'Enclosed Fixture Rated' lamp must be used.

Catalog Number **A10MHE**

A10MHE	Wattage	Ballast	Voltage	Options
	175W MAX. ED17●●●	H	1	QS
	150W PAR38, ED17	P/R	2	QR
	100W PAR38, ED17	E	3	PR
	70W PAR30, PAR38, ED17		4	R
				F

Ballast	
H	Encased & Potted "F" Can
P/R	Pulse Rated
E	Electronic
Voltage	
1	120 Volts
2	277 Volts
3	347 Volts
4	208 Volts
Options ▲	
QS	Quartz Socket
QR	Quartz Restrike
PR	Plaster Ring
R	Remodeler
F	Fused

PAR Lamp – Replace **A10MHE** with **PA10MHE**

HPS – Replace **A10MHE** with **HPS** – **A10HPSE**

HPS – High Pressure Sodium available up to 150 Watt.

●●●Mogul Base Lamp – Replace **A10MHE** with **A10MHM** – MAX. 175W ED28 Consult Factory

Finishing Kit – 10" HID Lensed Reflector - clear reflector standard with Black or White Baffled Splay

Catalog Number **104**

104	Lens	Finish	Options
	10421 - Tempered Clear Lens	SCL/BL	PF
	10424 - Tempered Prismatic Lens (C73 Pattern)	SCL/WH	DGSK
	10426 - Fresnel Lens	WHT/WH	
	10429 - Drop Opal Lens	WHT/BL	

Finish (Factory Standard)

SCL/BL	Specular Clear "Alzak" with Black Baffled Splay
SCL/WH	Specular Clear "Alzak" with White Baffled Splay
WHT/WH	White Reflector with White Baffled Splay
WHT/BL	White Reflector with Black Baffled Splay

Options ▲

PF	High Polished Flange
DGSK	Neoprene Foam Double Gasketing

Features

Manufactured and Listed to UL 1598, ETL and CSA standards. Suitable for Damp Locations. Wet location under covered ceiling



▲ See Options and Finishes pages for a list of additional finishes and equipment.

Vantage reserves the right to change components, finishes or design details in any manner which does not alter the installed appearance or reduce performance and intended function.

Vantage



Luminaires

76 Community Avenue Plainfield, CT 06374
voice (860)564.4512 fax (860)564.4854
www.vantageitg.com

03/10