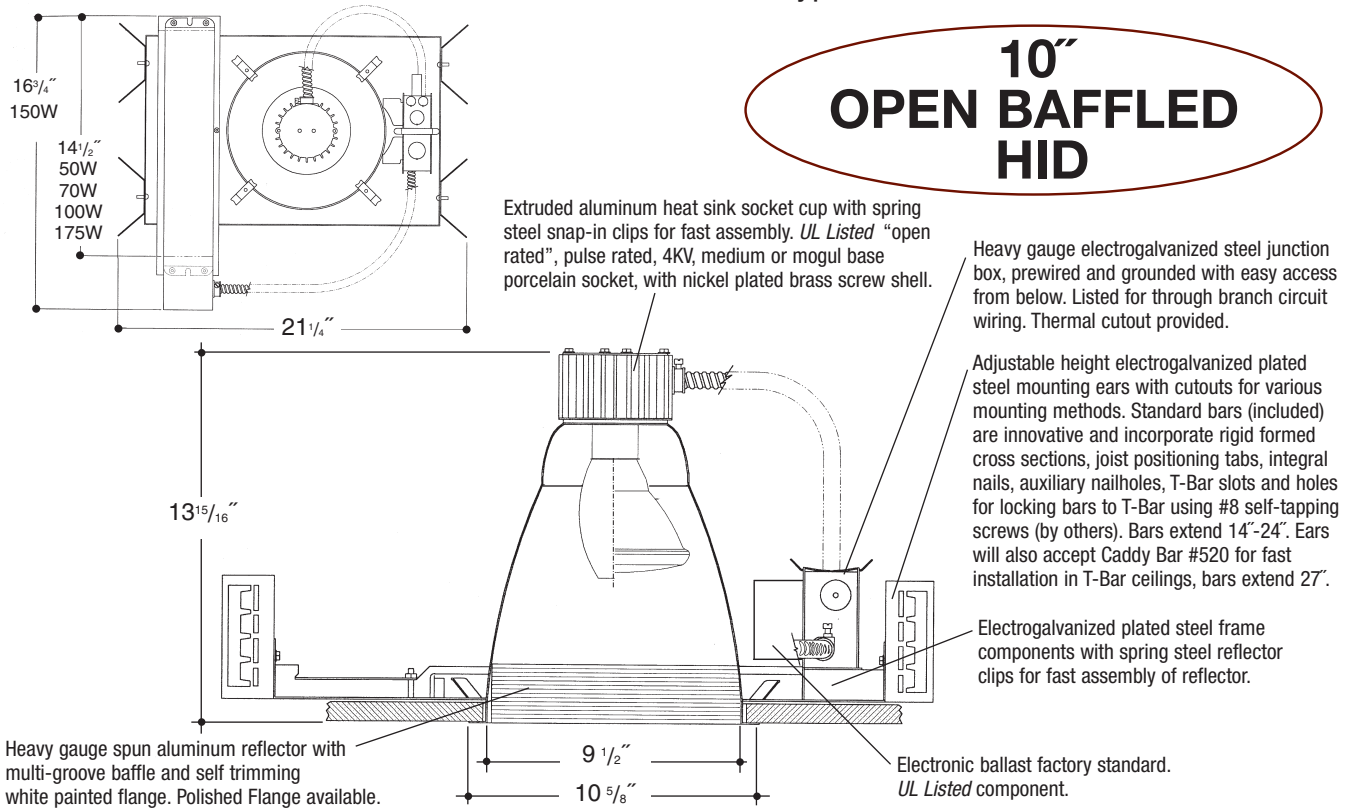


Architectural Grade

Job Name _____

Type _____



Rough in Kit – 10" HID (ED17; PAR20; PAR30; PAR38 Open Rated* Lamp). *Note: 'Open Fixture Rated' lamp must be used.

Catalog Number **A10MHO**

A10MHO	Wattage	Ballast	Voltage	Options
175W MAX. ED17•••		H	1	QS
150W PAR38, ED17		P/R	2	QR
100W PAR38, ED17		E	3	PR
70W PAR30, PAR38, ED17			4	R
				F

Ballast	
H	Encased & Potted "F" Can
P/R	Pulse Rated
E	Electronic
Voltage	
1	120 Volts
2	277 Volts
3	347 Volts
4	208 Volts
Options ▲	
QS	Quartz Socket
QR	Quartz Restrike
PR	Plaster Ring
R	Remodeler
F	Fused

PAR Lamp – Replace **A10MHO** with **PA10MHO**

HPS – Replace **A10MHO** with **HPS-A10HPSO**

HPS – High Pressure Sodium available up to 150 Watt.

•••Mogul Base Lamp – Replace **A10MHO** with **A10MHOM** – MAX. 250W ED28 **Consult Factory**

Finishing Kit – 10" HID Open Baffled Reflector

Catalog Number **10450**

10450	Finish	Options
	SCL/BL	PF
	SGO/BL	GSK
	SCL/WH	
	SGO/WH	
	WHT/WH	
	WHT/BL	

Finish (Factory Standard)

SCL/BL	Specular Clear "Alzak" with White Flange and Black Baffle
SGO/BL	Specular Gold "Alzak" with White Flange and Black Baffle
SCL/WH	Specular Clear "Alzak" with White Flange and White Baffle
SGO/WH	Specular Gold "Alzak" with White Flange and White Baffle
WHT/WH	White Reflector with White Flange with White Baffle
WHT/BL	White Reflector with White Flange with Black Baffle

Options ▲

PF	High Polished Flange
GSK	Neoprene Foam Single Gasketing

Features

Manufactured and Listed to UL 1598, ETL and CSA standards.
Suitable for Damp Locations
Wet location under covered ceiling



▲ See Options and Finishes pages for a list of additional finishes and equipment.

Vantage reserves the right to change components, finishes or design details in any manner which does not alter the installed appearance or reduce performance and intended function.

Vantage



76 Community Avenue Plainfield, CT 06374
voice (860)564.4512 fax (860)564.4854
www.vantageitg.com

03/10

Luminaires