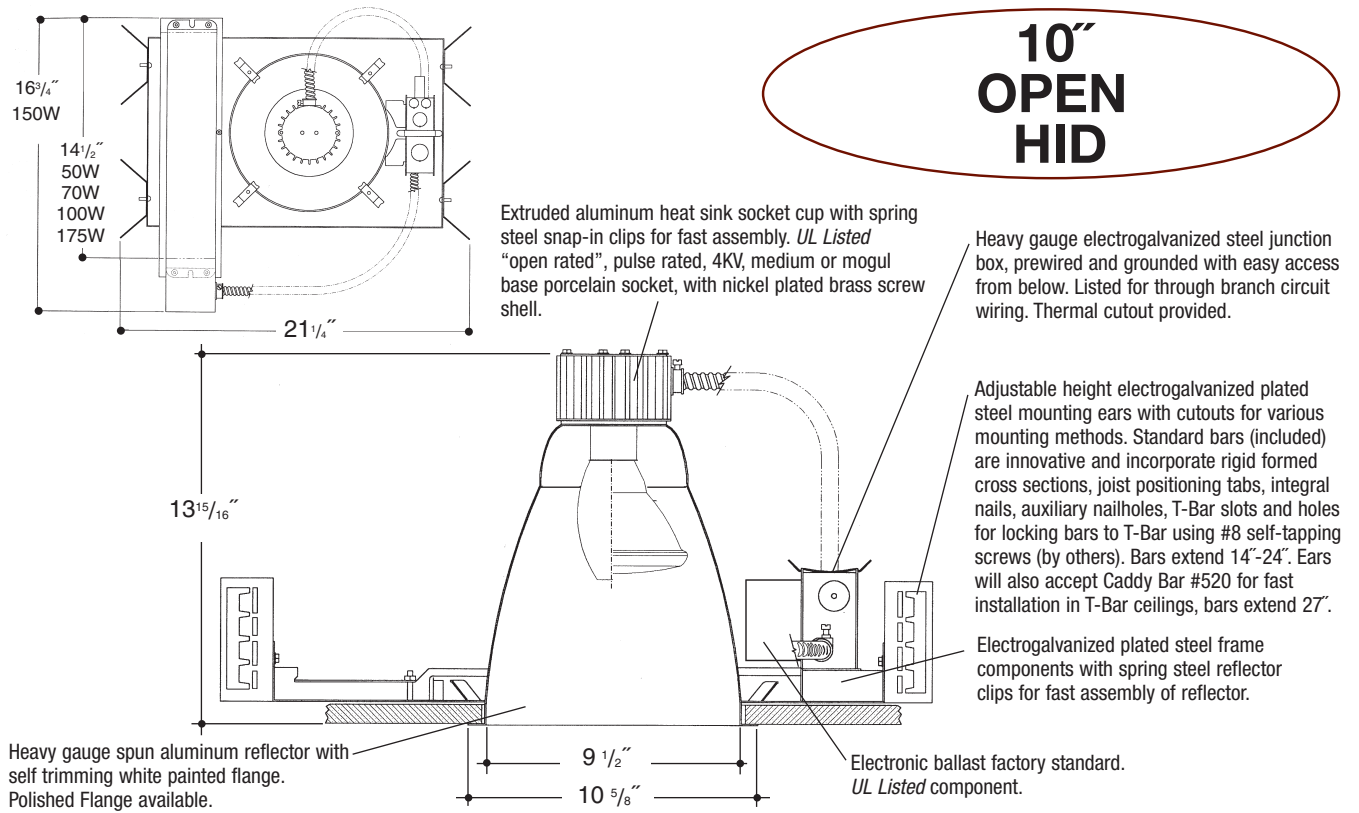


Architectural Grade

Job Name _____

Type _____



Rough in Kit – 10" HID (ED17; PAR20; PAR30; PAR38 Open Rated* Lamp). *Note: 'Open Fixture Rated' lamp must be used.

Catalog Number **A10MHO**

A10MHO	Wattage	Ballast	Voltage	Options
	175W MAX. ED17●●●	H	1	QS
	150W PAR38, ED17	P/R	2	QR
	100W PAR38, ED17	E	3	PR
	70W PAR30, PAR38, ED17		4	R
				F

Ballast	
H	Encased & Potted "F" Can
P/R	Pulse Rated
E	Electronic
Voltage	
1	120 Volts
2	277 Volts
3	347 Volts
4	208 Volts
Options ▲	
QS	Quartz Socket
QR	Quartz Restrike
PR	Plaster Ring
R	Remodeler
F	Fused

PAR Lamp – Replace **A10MHO** with **PA10MHO**

HPS – Replace **A10MHO** with **HPS-A10HPSO**

HPS – High Pressure Sodium available up to 150 Watt.

●●●Mogul Base Lamp – Replace **A10MHO** with **A10MHOM** – MAX. 250W ED28 **Consult Factory**

Finishing Kit – 10" HID Open Reflector

Catalog Number **10400**

10400	Finish	Options
	SCL	PF
	SGO	GSK
	WHT	

Finish (Factory Standard)	
SCL	Specular Clear "Alzak" with White Flange
SGO	Specular Gold "Alzak" with White Flange
WHT	White Reflector with White Flange
Options ▲	
PF	High Polished Flange
GSK	Neoprene Foam Single Gasketing

Features

Manufactured and Listed to UL 1598, ETL and CSA standards.
Suitable for Damp Locations
Wet location under covered ceiling



▲ See Options and Finishes pages for a list of additional finishes and equipment.

Vantage reserves the right to change components, finishes or design details in any manner which does not alter the installed appearance or reduce performance and intended function.

Vantage



Luminaires

76 Community Avenue Plainfield, CT 06374
voice (860)564.4512 fax (860)564.4854
www.vantageitg.com

03/10

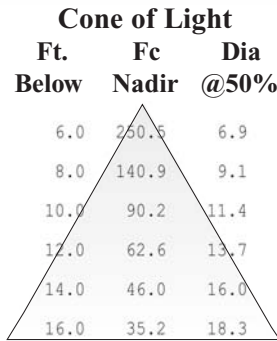
Photometric Information

Product Number: A10MHOM250H/10400SCL
Frame In Kit: 10" Vertical Mount Metal Halide
Reflector: 10" Vertical Clear "Alzak" Reflector
LTL Test Number: 08454
Lamp(s) Source: (1) 250W VB Unit M58 ED28 coated lamp
 rated at 20,500 lumens
Total Luminaire Efficiency: 62.4%
CIE Type: Direct
Luminaire Spacing Criterion: 1.0
Luminous Diameter: 9.5

Product Number: A10MHO150H/10400SCL
Frame In Kit: 10" Vertical Mount Metal Halide
Reflector: 10" Vertical Clear "Alzak" Reflector
LTL Test Number: 10168
Lamp(s) Source: (1) 150W VB Unit M102 ED17 coated lamp
 rated at 11,500 lumens
Total Luminaire Efficiency: 61.7%
CIE Type: Direct
Luminaire Spacing Criterion: 0.8
Luminous Diameter: 9.5

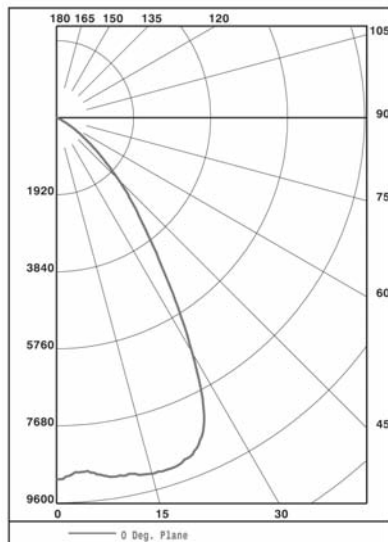
Zonal Lumen Summary

ZONE	LUMENS	%LAMP	%FIXTURE
0- 30	7333	35.8	57.4
0- 40	10280	50.1	80.4
0- 60	12635	61.6	98.8
0- 90	12785	62.4	100.0
90-180	0	0.0	0.0
0-180	12785	62.4	100.0



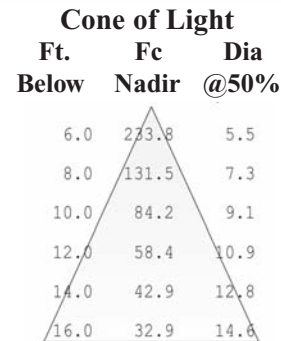
Coefficients of Utilization

RC	80				70				50				30				10				0			
	RW	70	50	30	10	70	50	30	10	50	30	10	50	30	10	50	30	10	50	30	10	50	30	10
0	74	74	74	74	73	73	73	73	69	69	69	66	66	66	64	64	64	62						
1	71	69	67	66	69	68	66	65	65	64	63	63	62	61	61	60	59	58						
2	67	64	62	60	66	63	61	59	61	60	58	60	58	57	58	57	56	55						
3	64	60	57	55	63	59	57	54	58	55	53	56	54	53	55	53	52	51						
4	61	56	53	50	60	56	52	50	54	52	49	53	51	49	52	50	48	47						
5	58	53	49	46	57	52	49	46	51	48	46	50	47	45	49	47	45	44						
6	55	49	45	43	54	49	45	43	48	45	42	47	44	42	46	44	42	41						
7	52	46	42	39	51	45	42	39	44	41	39	44	41	39	43	40	38	38						
8	49	43	39	36	48	42	39	36	42	38	36	41	38	36	40	38	36	35						
9	46	40	36	33	45	39	36	33	39	35	33	38	35	33	38	35	33	32						
10	43	37	33	31	43	37	33	31	36	33	31	36	33	31	35	32	30	30						



Zonal Lumen Summary

ZONE	LUMENS	%LAMP	%FIXTURE
0- 30	5484	47.7	77.3
0- 40	6800	59.1	95.8
0- 60	7095	61.7	100.0
0- 90	7095	61.7	100.0
90-180	0	0.0	0.0
0-180	7095	61.7	100.0



Coefficients of Utilization

RC	80				70				50				30				10				0			
	RW	70	50	30	10	70	50	30	10	50	30	10	50	30	10	50	30	10	50	30	10	50	30	10
0	73	73	73	73	72	72	72	72	69	69	69	66	66	66	63	63	63	62						
1	71	69	68	67	69	68	67	66	66	65	64	63	63	62	61	61	60	59						
2	68	66	64	62	67	65	63	61	63	61	60	61	60	59	59	58	58	57						
3	66	63	60	58	65	62	60	58	60	58	57	59	57	56	58	56	55	54						
4	63	60	57	55	62	59	57	55	58	56	54	57	55	54	56	54	53	52						
5	61	57	54	52	60	56	54	52	55	53	51	54	52	51	53	52	50	50						
6	59	54	52	49	58	54	51	49	53	51	49	52	50	49	52	50	48	48						
7	56	52	49	47	56	51	49	47	51	48	46	50	48	46	49	47	46	45						
8	54	49	46	44	53	49	46	44	48	46	44	48	46	44	47	45	44	43						
9	52	47	44	42	51	47	44	42	46	44	42	46	43	42	45	43	41	41						
10	50	45	42	40	49	45	42	40	44	42	40	44	41	40	43	41	40	39						

