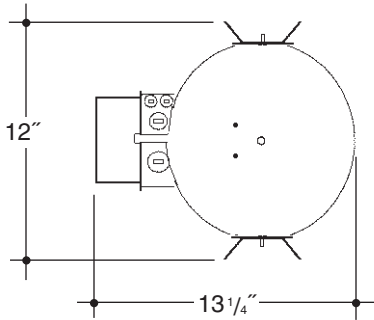


Architectural Grade

Job Name _____

Type _____

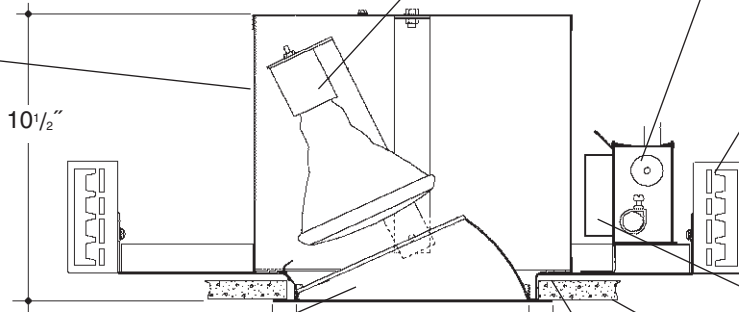


8" ADJUSTABLE OR FIXED METAL HALIDE

UL Listed. Specification grade open rated, pulse rated, 4KV, porcelain socket with nickel plated brass screw shell. Adjusts for 358° rotation and 35° elevation. High temperature wires connect to junction box.

Heavy gauge electrogalvanized steel junction box, prewired and grounded with easy access from below. Listed for through branch circuit wiring. *UL Listed.* Thermal cutout provided.

Steel housing wrap with interlocking seams for strength. Housing is top relampable with screwdriver. Housing cap is aluminum for heat transfer to ensure maximum lamp life.



Adjustable height electrogalvanized plated steel mounting ears with cutouts for various mounting methods. Standard bars (included) are innovative and incorporate rigid formed cross sections, joint positioning tabs, integral nails, auxiliary nailholes, T-Bar slots and holes for locking bars to T-Bar using #8 self-tapping screws (by others). Bars extend 14"-24". Ears will also accept Caddy Bar #520 for fast installation in T-Bar ceilings, bars extend 27".

Heavy gauge spun aluminum angle cut "Alzak" cone or straight cut cone. Internal heat treated spring steel clips hold reflector tight to ceiling. White painted flange standard. Polished Flange available.

Electronic ballast factory standard. *UL Listed* component.

Electrogalvanized plated steel frame components with spring steel reflector clips for fast assembly of reflector.

Aluminum plaster ring.

Rough In Kit – 8" Metal Halide Adjustable or Fixed (ED17; PAR20; PAR30; PAR38 Open Rated* Lamps) *Note: "Open Fixture Rated" lamp must be used.

Catalog Number **PA8MHO-ADJ**

PA8MHO-FIX

	Wattage	Ballast	Voltage	Options	Ballast	
PA8MHO-ADJ					E	Electronic
Adjustable	150W MAX. PAR38	E	1	QR	Voltage	
	100W PAR38		2	QS	1	120 Volts
	70W PAR30, PAR38		4	F	2	277 Volts
PA8MHO-FIX	50W PAR30				4	208 Volts
Fixed	39W PAR20, PAR30				Options ▲	
	35W ED17				QR	Quartz Restrike
					QS	Quartz Socket
					F	Fused

Finishing Kit – 8" Metal Halide Angle Cut "Alzak" Cone

Catalog Number **A8030**
A8030D
A8060

A8030
Angle Cut Cone (0°-45°)

A8030D
Deep Angle Cut Cone (20°-45°)

A8060
Straight Cut Cone (0°)

Finish	Options
SCL	PF
SGO	GSK
WHT	

Finish Options

SCL Specular Clear "Alzak" with White Flange
SGO Specular Gold "Alzak" with White Flange
WHT White Reflector with White Flange

Options ▲

PF High Polished Flange Polished
GSK Neoprene Foam Single Gasketing

Features

Manufactured and Listed to UL 1598, ETL and CSA standards.
Suitable for Damp Locations
Wet location under covered ceiling



▲ See Options and Finishes pages for a list of additional finishes and equipment.

Vantage reserves the right to change components, finishes or design details in any manner which does not alter the installed appearance or reduce performance and intended function.

Vantage



Luminaires

76 Community Avenue Plainfield, CT 06374
voice (860)564.4512 fax (860)564.4854
www.vantageitg.com

03/10