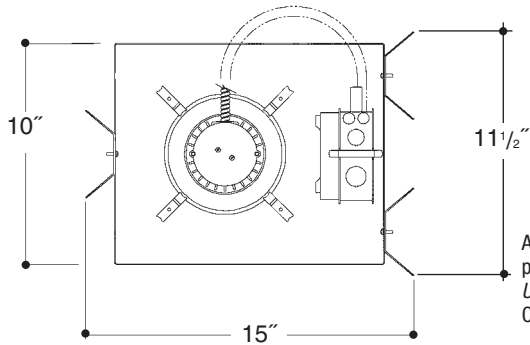


# A r c h i t e c t u r a l   G r a d e

Job Name \_\_\_\_\_

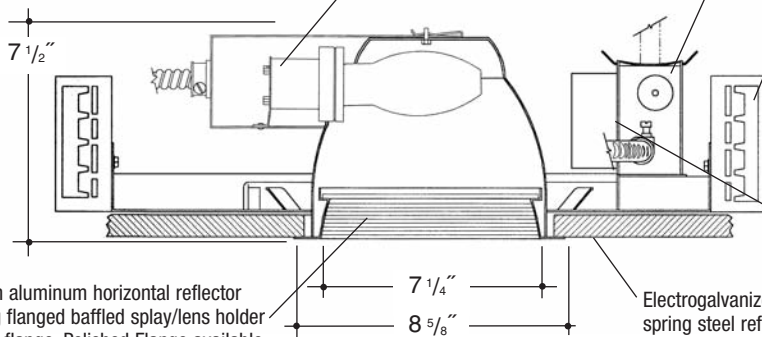
Type \_\_\_\_\_



## 8" HORIZONTAL LENSED BAFFLED HID

Aluminum socket housing with zinc plated steel quick assembly hardware. *UL Listed* socket and electrical connectors. Open Rated coated ED17 medium base.

Heavy gauge electrogalvanized steel junction box, prewired and grounded with easy access from below. Listed for through branch circuit wiring. Thermal cutout provided.



Adjustable height electrogalvanized plated steel mounting ears with cutouts for various mounting methods. Standard bars (included) are innovative and incorporate rigid formed cross sections, joist positioning tabs, integral nails, auxiliary nailholes, T-Bar slots and holes for locking bars to T-Bar using #8 self-tapping screws (by others). Bars extend 14"-24". Ears will also accept Caddy Bar #517 for fast installation in T-Bar ceilings, bars extend 27".

Electronic ballast factory standard. *UL Listed* component.

Heavy gauge spun aluminum horizontal reflector with self trimming flanged baffled splay/lens holder and white painted flange. Polished Flange available. Safety chain provided.

Electrogalvanized plated steel frame components with spring steel reflector clips for fast installation of reflector.

### Rough in Kit – 8" Horizontal HID (ED17 Enclosed Rated\* Lamp). *\*Note:* 'Enclosed Fixture Rated' lamp must be used.

Catalog Number **A8MHE-HOR**

**A8MHE-HOR**

Wattage	Ballast	Voltage	Options
150W MAX. ED17	E	1	QS
100W ED17		2	QR
70W ED17		3*	PR
50W ED17		4	R
35W ED17			F

Ballast	Electronic
E	Electronic
Voltage	
1	120 Volts
2	277 Volts
3*	347 Volts
4	208 Volts
Options ▲	
QS	Quartz Socket
QR	Quartz Restrike
PR	Plaster Ring
R	Remodeler
F	Fused

**HPS** – Replace **A8MHE-HOR** with **HPS – A8HPSE-HOR**

\* – 347V frame size - 14 1/2" x 17 3/4"

### Finishing Kit – 8" Horizontal HID Lensed Reflector - clear reflector standard with Black or White Baffled Splay

Catalog Number **86**

**86**

Lens	Finish	Options
8671 - Tempered Clear Lens	SCL/BL	PF
8674 - Tempered Prismatic Lens (C73 Pattern)	SCL/WH	DGSK
8676 - Fresnel Lens	WHT/WH	
	WHT/BL	

Finish (Factory Standard)

<b>SCL/BL</b>	Specular Clear "Alzak" with Black Baffled Splay
<b>SCL/WH</b>	Specular Clear "Alzak" with White Baffled Splay
<b>WHT/WH</b>	White Reflector with White Baffled Splay
<b>WHT/BL</b>	White Reflector with Black Baffled Splay

Options ▲

<b>PF</b>	High Polished Flange
<b>DGSK</b>	Neoprene Foam Double Gasketing

### Features

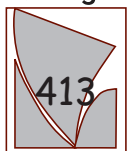
Manufactured and Listed to UL 1598, ETL and CSA standards. Suitable for Damp Locations. Wet location under covered ceiling



▲ See Options and Finishes pages for a list of additional finishes and equipment.

Vantage reserves the right to change components, finishes or design details in any manner which does not alter the installed appearance or reduce performance and intended function.

Vantage



Luminaires

76 Community Avenue Plainfield, CT 06374  
voice (860)564.4512 fax (860)564.4854  
www.vantageitg.com

03/10