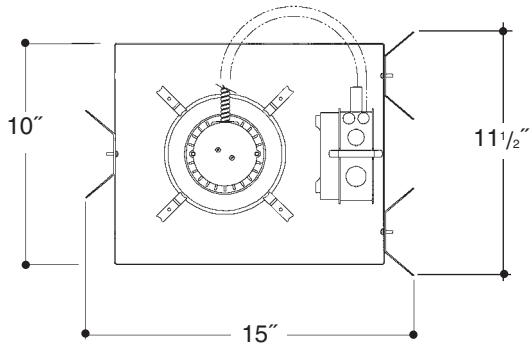


# Architectural Grade

Job Name \_\_\_\_\_

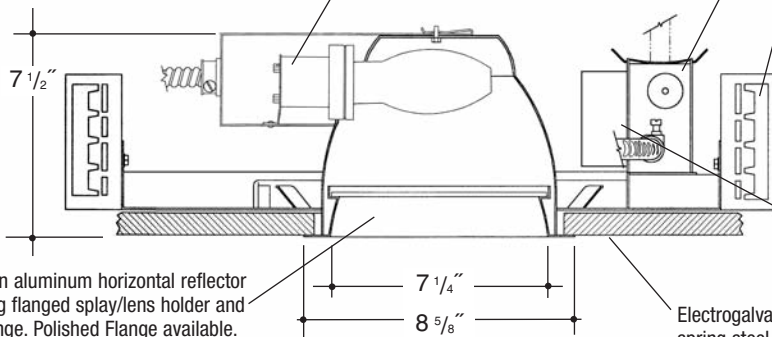
Type \_\_\_\_\_



## 8" HORIZONTAL LENSED HID

Aluminum socket housing with zinc plated steel quick assembly hardware. *UL Listed* socket and electrical connectors. Open Rated coated ED17 medium base.

Heavy gauge electrogalvanized steel junction box, prewired and grounded with easy access from below. Listed for through branch circuit wiring. Thermal cutout provided.



Adjustable height electrogalvanized plated steel mounting ears with cutouts for various mounting methods. Standard bars (included) are innovative and incorporate rigid formed cross sections, joist positioning tabs, integral nails, auxiliary nailholes, T-Bar slots and holes for locking bars to T-Bar using #8 self-tapping screws (by others). Bars extend 14"-24". Ears will also accept Caddy Bar #517 for fast installation in T-Bar ceilings, bars extend 27".

Electronic ballast factory standard. *UL Listed* component.

Heavy gauge spun aluminum horizontal reflector with self trimming flanged splay/lens holder and white painted flange. Polished Flange available. Safety chain provided.

Electrogalvanized plated steel frame components with spring steel reflector clips for fast installation of reflector.

### Rough in Kit – 8" Horizontal HID (ED17 Enclosed Rated\* Lamp). *\*Note: 'Enclosed Fixture Rated' lamp must be used.*

Catalog Number **A8MHE-HOR**

**A8MHE-HOR**

**Wattage**

**Ballast**

**Voltage**

**Options**

150W MAX. ED17  
100W ED17  
70W ED17  
50W ED17  
35W ED17

E

1

2

3\*

4

QS

QR

PR

R

F

Ballast

E

Electronic

1

120 Volts

2

277 Volts

3\*

347 Volts

4

208 Volts

Options ▲

QS

Quartz Socket

QR

Quartz Restrike

PR

Plaster Ring

R

Remodeler

F

Fused

HPS – Replace **A8MHE-HOR** with **HPS-A8HPSE-HOR**

\* – 347V frame size - 14 1/2" x 17 3/4"

### Finishing Kit – 8" Horizontal HID Lensed Reflector - clear reflector standard with White Splay and self trim flange

Catalog Number **86**

**86**

**Lens**

**Finish**

**Options**

8661 - Tempered Clear Lens  
8664 - Tempered Prismatic Lens (C73 Pattern)  
8666 - Fresnel Lens

SCL

SGO

WHT

PF

DGSK

Finish (Factory Standard)

**SCL**

Specular Clear "Alzak" Splay with White Flange

**SGO**

Specular Gold "Alzak" Splay with White Flange

**WHT**

White Splay with White Flange

Options ▲

**PF**

High Polished Flange

**DGSK**

Neoprene Foam Double Gasketing

### Features

Manufactured and Listed to UL 1598, ETL and CSA standards. Suitable for Damp Locations Wet location under covered ceiling



▲ See Options and Finishes pages for a list of additional finishes and equipment.

Vantage reserves the right to change components, finishes or design details in any manner which does not alter the installed appearance or reduce performance and intended function.

Vantage



Luminaires

76 Community Avenue Plainfield, CT 06374  
voice (860) 564.4512 fax (860) 564.4854  
www.vantageitg.com

03/10