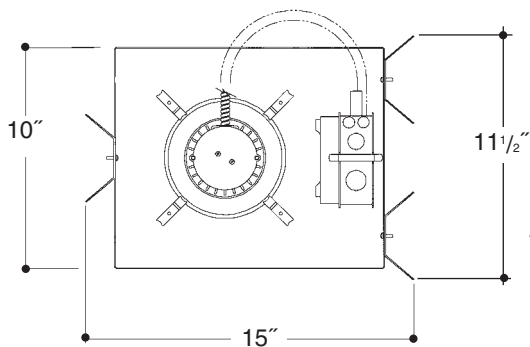


Architectural Grade

Job Name _____

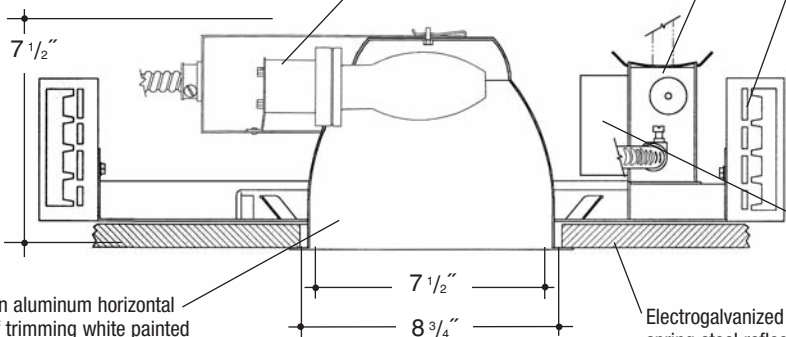
Type _____



**8"
HORIZONTAL OPEN
HID**

Aluminum socket housing with zinc plated steel quick assembly hardware. *UL Listed* socket and electrical connectors. Open Rated coated ED17 medium base.

Heavy gauge electrogalvanized steel junction box, prewired and grounded with easy access from below. Listed for through branch circuit wiring. Thermal cutout provided.



Adjustable height electrogalvanized plated steel mounting ears with cutouts for various mounting methods. Standard bars (included) are innovative and incorporate rigid formed cross sections, joist positioning tabs, integral nails, auxiliary nailholes, T-Bar slots and holes for locking bars to T-Bar using #8 self-tapping screws (by others). Bars extend 14"-24". Ears will also accept Caddy Bar #517 for fast installation in T-Bar ceilings, bars extend 27".

Electronic ballast factory standard. *UL Listed* component.

Heavy gauge spun aluminum horizontal reflector with self trimming white painted flange. Polished Flange available.

Electrogalvanized plated steel frame components with spring steel reflector clips for fast installation of reflector.

Rough in Kit – 8" Horizontal HID (ED17 Open Rated* Lamp). *Note: 'Open Fixture Rated' lamp must be used.

Catalog Number **A8MH0-HOR**

A8MH0-HOR

Wattage	Ballast	Voltage	Options
150W MAX. ED17	E	1	QS
100W ED17		2	QR
70W ED17		3*	PR
50W ED17		4	R
35W ED17			F

Ballast	Options ▲
E Electronic	QS Quartz Socket
1 120 Volts	QR Quartz Restrike
2 277 Volts	PR Plaster Ring
3* 347 Volts	R Remodeler
4 208 Volts	F Fused

HPS – Replace A8MH0-HOR with HPS–A8HPS0-HOR

* – 347V frame size - 14 1/2" x 17 3/4"

Finishing Kit – 8" Horizontal HID Open Reflector

Catalog Number **8602**

8602

Finish	Options
SCL	PF
SGO	GSK
WHT	

Finish (Factory Standard)	
SCL	Specular Clear "Alzak" with White Flange
SGO	Specular Gold "Alzak" with White Flange
WHT	White Reflector with White Flange
Options ▲	
PF	High Polished Flange
GSK	Neoprene Foam Single Gasketing

Features

Manufactured and Listed to UL 1598, ETL and CSA standards. Suitable for Damp Locations Wet location under covered ceiling



▲ See Options and Finishes pages for a list of additional finishes and equipment.

Vantage reserves the right to change components, finishes or design details in any manner which does not alter the installed appearance or reduce performance and intended function.

Vantage



76 Community Avenue Plainfield, CT 06374
 voice (860)564.4512 fax (860)564.4854
 www.vantageitg.com

03/10

Luminaires