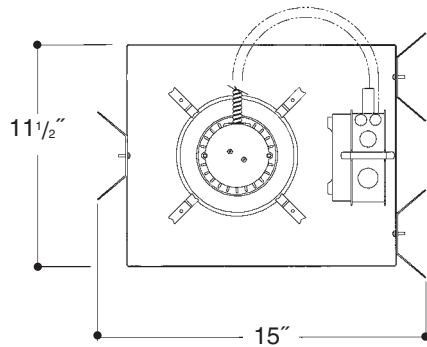


# Architectural Grade

Job Name \_\_\_\_\_

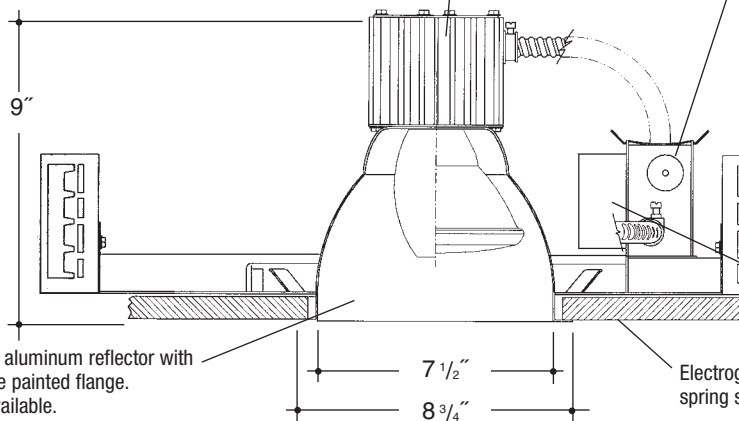
Type \_\_\_\_\_



**8" OPEN HID**

Extruded aluminum heat sink socket cup with spring steel snap-in clips for fast assembly. *UL Listed* "open rated" pulse rated, 4KV, medium base porcelain socket, with nickel plated brass screw shell.

Heavy gauge electrogalvanized steel junction box, prewired and grounded with easy access from below. Listed for through branch circuit wiring. Thermal cutout provided.



Adjustable height electrogalvanized plated steel mounting ears with cutouts for various mounting methods. Standard bars (included) are innovative and incorporate rigid formed cross sections, joist positioning tabs, integral nails, auxiliary nailholes, T-Bar slots and holes for locking bars to T-Bar using #8 self-tapping screws (by others). Bars extend 14"-24". Ears will also accept Caddy Bar #520 for fast installation in T-Bar ceilings, bars extend 27".

Electronic ballast factory standard. *UL Listed* component.

Heavy gauge spun aluminum reflector with self trimming white painted flange. Polished Flange available.

Electrogalvanized plated steel frame components with spring steel reflector clips for fast assembly of reflector.

**Rough in Kit – 8" HID (ED17; PAR20; PAR30; PAR38 Open Rated\* Lamp). \*Note: 'Open Fixture Rated' lamp must be used.**

Catalog Number **A8MH0**

A8MH0	Wattage	Ballast	Voltage	Options
150W MAX. PAR38, ED17		H♦	1	QS
100W PAR38, ED17		E	2	QR
70W PAR30, PAR38, ED17			3*	PR
50W PAR30, ED17			4	R
39W PAR20, PAR30				F
35W ED17				

Ballast

H♦ Encased & Potted "F" Can  
E Electronic

Voltage

1 120 Volts  
2 277 Volts  
3\* 347 Volts  
4 208 Volts

Options ▲

QS Quartz Socket  
QR Quartz Restrike  
PR Plaster Ring  
R Remodeler  
F Fused

**PAR Lamp** – Replace **A8MH0** with **PA8MH0**

**HPS** – Replace **A8MH0** with **A8HPS0**

\* – 347V frame size - 14 1/2" x 17 3/4"

♦ – "F" Can Ballast available only in 150W: frame size – 16 3/4" x 17 3/4"

**Finishing Kit – 8" HID Open Reflector**

Catalog Number **8400**

8400	Finish	Options
	SCL	PF
	SGO	GSK
	WHT	

Finish (Factory Standard)

SCL Specular Clear "Alzak" with White Flange  
SGO Specular Gold "Alzak" with White Flange  
WHT White Reflector with White Flange

Options ▲

PF High Polished Flange  
GSK Neoprene Foam Single Gasketing

**Features**

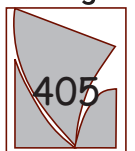
Manufactured and Listed to UL 1598, ETL and CSA standards. Suitable for Damp Locations Wet location under covered ceiling



▲ See Options and Finishes pages for a list of additional finishes and equipment.

Vantage reserves the right to change components, finishes or design details in any manner which does not alter the installed appearance or reduce performance and intended function.

Vantage



76 Community Avenue Plainfield, CT 06374  
voice (860)564.4512 fax (860)564.4854  
www.vantageitg.com

03/10

Luminaires

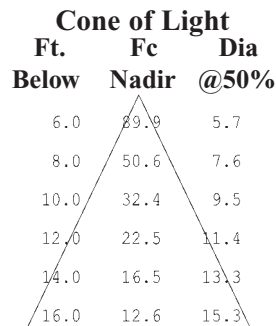
# Photometric Information

**Product Number:** A8MHO70H/8400SCL  
**Frame In Kit:** 8" Vertical Mount Metal Halide  
**Reflector:** 8" Vertical Clear "Alzak" Reflector  
**LTL Test Number:** 07000  
**Lamp(s) Source:** (1) 70W ED17 coated Metal Halide rated at 5000 lumens  
**Total Luminaire Efficiency:** 63.2%  
**CIE Type:** Direct  
**Luminaire Spacing Criterion:** 0.9  
**Luminous Diameter:** 7.500

**Product Number:** A8MHO100H/8400SCL  
**Frame In Kit:** 8" Vertical Mount Metal Halide  
**Reflector:** 8" Vertical Clear "Alzak" Reflector  
**LTL Test Number:** 07001  
**Lamp(s) Source:** (1) 100W ED17 coated Metal Halide rated at 7800 lumens  
**Total Luminaire Efficiency:** 64.6%  
**CIE Type:** Direct  
**Luminaire Spacing Criterion:** 1.0  
**Luminous Diameter:** 7.500

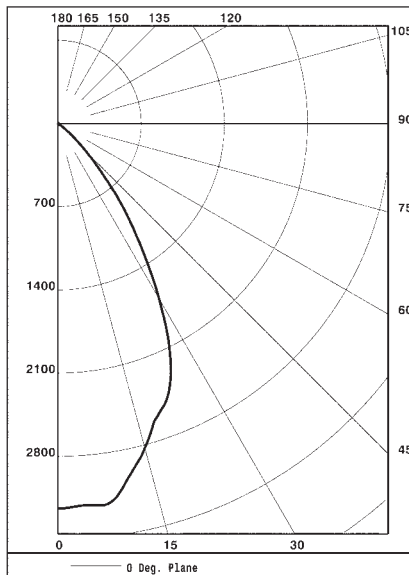
### Zonal Lumen Summary

ZONE	LUMENS	%LAMP	%FIXTURE
0- 30	2115	42.3	66.9
0- 40	2839	56.8	89.8
0- 60	3151	63.0	99.7
0- 90	3161	63.2	100.0
90-180	0	0.0	0.0
0-180	3161	63.2	100.0



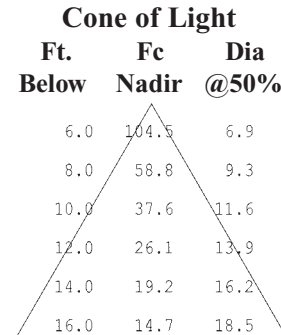
### Coefficients of Utilization

RC	80			70			50			30			10			0		
RW	70	50	30	10	70	50	30	10	50	30	10	50	30	10	50	30	10	0
0	75	75	75	75	74	74	74	74	70	70	70	67	67	67	65	65	65	63
1	72	71	69	68	71	69	68	67	67	66	65	64	64	63	62	62	61	60
2	69	67	64	62	68	65	63	62	63	62	60	62	60	59	60	59	58	57
3	66	63	60	58	65	62	59	57	60	58	57	59	57	56	57	56	55	54
4	64	59	56	54	62	59	56	54	57	55	53	56	54	52	55	53	52	51
5	61	56	53	50	60	55	52	50	54	52	50	53	51	49	52	50	49	48
6	58	53	50	47	57	53	49	47	52	49	47	51	48	47	50	48	46	45
7	55	50	47	44	54	50	46	44	49	46	44	48	45	44	47	45	43	43
8	53	47	44	41	52	47	44	41	46	43	41	46	43	41	45	43	41	40
9	50	44	41	39	49	44	41	38	43	40	38	43	40	38	42	40	38	37
10	48	42	38	36	47	42	38	36	41	38	36	41	38	36	40	38	36	35



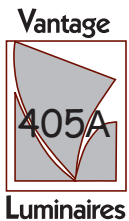
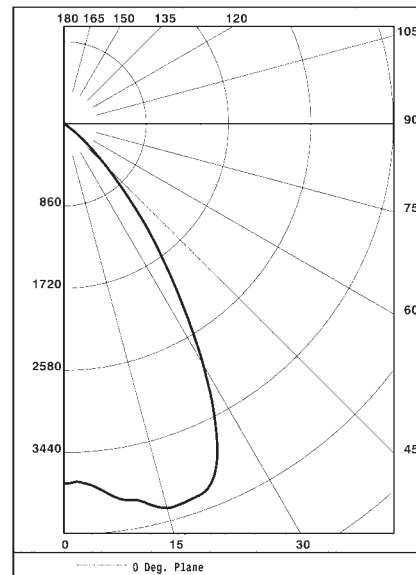
### Zonal Lumen Summary

ZONE	LUMENS	%LAMP	%FIXTURE
0- 30	3246	41.6	64.4
0- 40	4470	57.3	88.7
0- 60	5033	64.5	99.9
0- 90	5040	64.6	100.0
90-180	0	0.0	0.0
0-180	5040	64.6	100.0



### Coefficients of Utilization

RC	80			70			50			30			10			0		
RW	70	50	30	10	70	50	30	10	50	30	10	50	30	10	50	30	10	0
0	77	77	77	77	75	75	75	75	72	72	72	69	69	69	66	66	66	65
1	74	72	71	69	72	71	69	68	68	67	66	66	65	64	63	63	62	61
2	71	68	65	63	69	67	65	63	65	63	61	63	61	60	61	60	59	58
3	68	64	61	59	66	63	60	58	61	59	57	60	58	56	58	57	56	55
4	65	60	57	55	63	59	56	54	58	56	54	57	55	53	56	54	52	51
5	61	57	53	51	60	56	53	50	55	52	50	54	51	49	53	51	49	48
6	59	53	50	47	58	53	50	47	52	49	47	51	48	47	50	48	46	45
7	56	50	46	44	55	50	46	44	49	46	44	48	45	43	47	45	43	42
8	53	47	43	41	52	47	43	41	46	43	41	45	43	40	45	42	40	39
9	50	44	40	38	49	44	40	38	43	40	38	43	40	38	42	39	37	37
10	47	41	38	35	47	41	38	35	41	37	35	40	37	35	40	37	35	34



# Photometric Information

**Product Number:** PA8MHO100H/8400SCL  
**Frame In Kit:** 8" Vertical Mount Metal Halide  
**Reflector:** 8" Vertical Clear "Alzak" Reflector  
**LTL Test Number:** 06867  
**Lamp(s) Source:** (1) 100W PAR38/U/FL35 Metal Halide rated at 5800 lumens  
**Total Luminaire Efficiency:** 97.4%  
**CIE Type:** Direct  
**Luminaire Spacing Criterion:** 0.7  
**Luminous Diameter:** 7.500

**Product Number:** A8MHO150H/8400SCL  
**Frame In Kit:** 8" Vertical Mount Metal Halide  
**Reflector:** 8" Vertical Clear "Alzak" Reflector  
**LTL Test Number:** 06998  
**Lamp(s) Source:** (1) 150W ED17 coated Metal Halide rated at 11,500 lumens  
**Total Luminaire Efficiency:** 63.4%  
**CIE Type:** Direct  
**Luminaire Spacing Criterion:** 1.0  
**Luminous Diameter:** 7.500

## Zonal Lumen Summary

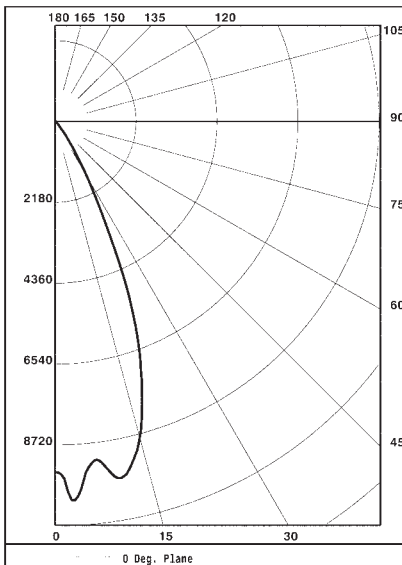
ZONE	LUMENS	%LAMP	%FIXTURE
0- 30	5080	87.6	89.9
0- 40	5556	95.8	98.3
0- 60	5649	97.4	100.0
0- 90	5649	97.4	100.0
90-180	0	0.0	0.0
0-180	5649	97.4	100.0

### Cone of Light

Ft. Below	Fc Nadir	Dia @50%
6.0	262.8	4.7
8.0	147.8	6.3
10.0	94.6	7.9
12.0	65.7	9.5
14.0	48.3	11.0
16.0	37.0	12.6

## Coefficients of Utilization

RC	80	70	50	30	10	0								
RW	70	50	30	10	50	30	10	50	30	10	50	30	10	0
0	116116116116	113113113113	108108108	104104104	99 99 99	97								
1	112110108107	110108107105	104103102	101100 99	97 97 96	94								
2	109105103100	107104101 99	101 99 97	98 96 95	95 94 93	92								
3	106101 98 96	104100 97 95	98 95 93	96 94 92	94 92 91	89								
4	103 98 94 91	101 97 93 91	95 92 90	93 91 89	91 89 88	87								
5	99 94 90 87	98 93 90 87	92 89 86	90 88 86	89 87 85	84								
6	97 91 87 84	96 90 87 84	89 86 84	88 85 83	87 85 83	82								
7	94 88 84 81	93 87 84 81	86 83 81	85 82 80	84 82 80	79								
8	91 85 81 78	90 84 81 78	84 80 78	83 80 78	82 79 77	76								
9	88 82 78 75	87 82 78 75	81 77 75	80 77 75	79 77 75	74								
10	86 79 75 73	85 79 75 73	78 75 73	78 75 72	77 74 72	71								



## Zonal Lumen Summary

ZONE	LUMENS	%LAMP	%FIXTURE
0- 30	4795	41.7	65.7
0- 40	6624	57.6	90.8
0- 60	7295	63.4	100.0
0- 90	7295	63.4	100.0
90-180	0	0.0	0.0
0-180	7295	63.4	100.0

### Cone of Light

Ft. Below	Fc Nadir	Dia @50%
6.0	157.3	7.1
8.0	88.5	9.4
10.0	56.6	11.8
12.0	39.3	14.1
14.0	28.9	16.5
16.0	22.1	18.8

## Coefficients of Utilization

RC	80	70	50	30	10	0								
RW	70	50	30	10	50	30	10	50	30	10	50	30	10	0
0	76 76 76 76	74 74 74 74	70 70 70	67 67 67	65 65 65	63								
1	72 71 69 68	71 69 68 67	67 66 65	65 64 63	62 62 61	60								
2	69 67 64 63	68 66 64 62	64 62 61	62 60 59	60 59 58	57								
3	66 63 60 58	65 62 59 57	60 58 57	59 57 56	58 56 55	54								
4	64 59 56 54	62 59 56 54	57 55 53	56 54 52	55 53 52	51								
5	61 56 53 50	60 55 52 50	54 52 49	53 51 49	52 50 49	48								
6	58 53 49 47	57 52 49 47	51 49 47	51 48 46	50 48 46	45								
7	55 50 46 44	54 49 46 44	48 45 43	48 45 43	47 45 43	42								
8	52 47 43 41	52 46 43 41	46 43 40	45 42 40	44 42 40	39								
9	49 44 40 38	49 43 40 38	43 40 38	42 39 37	42 39 37	37								
10	47 41 38 35	46 41 37 35	40 37 35	40 37 35	39 37 35	34								

